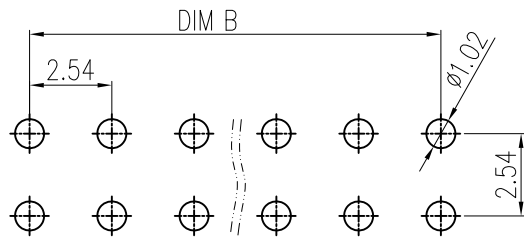
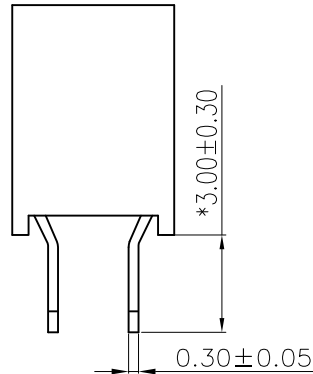
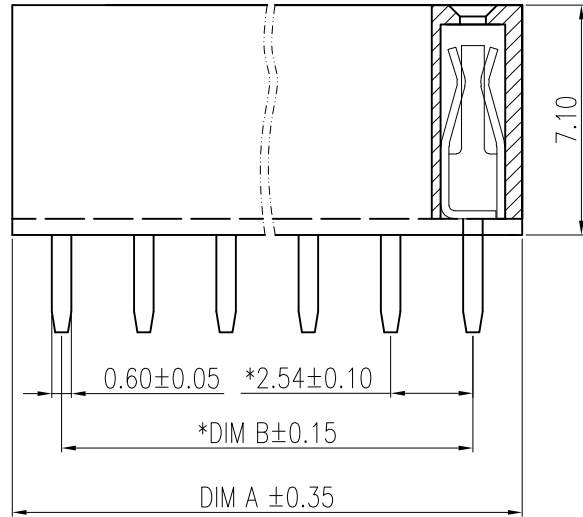
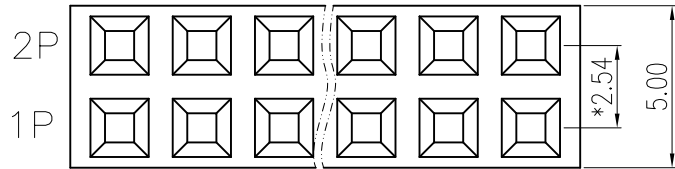


HSF RoHS 非正式图纸, 仅供参考



PCB LAYOUT

STANDARD TOLERANCE (EXCEPT SPECIFIED)	
LINER	ANGLES
.0 ±0.30	0.° ±3°
.00 ±0.20	.0° ±2°
.000 ±0.10	.00° ±1°

REV	ECN NO	DESCRIPTION	DATE	NAME
A	—	NEW	04/08-'21	ZW
B	—	旧料号: LFH254-1071D5103C	03/08-'22	KJL

规范

Specifications

- 额定电流: 3.0安培
Current Rating: 3.0Amps
- 额定电压: 250V AC/DC
rated voltage: 250V AC/DC
- 绝缘电阻: 1000 MΩ最小
Insulation Resistance: 1000 MΩ Min
- 耐电压: 500V AC
Dielectric withstanding Voltage: 500V AC
- 接触电阻: 20 mΩ最大
Contact Resistance: 20 mΩ Max
- 工作温度: -40°C ~ +105°C
Operating Temperature: -40°C to +105°C
- 接触材质: 黄铜
Contact Material: Brass
- 电镀: 金 G/F
Plating: Au G/F
- 绝缘材料: PA6T, UL94V-0, 黑色
Insulation Material: PA6T, UL94V-0, Black
- 标有“*”符号为主要尺
Marked “*” symbol are major dimensions
- 包装: 200PCS/盘装
Packing: 200PCS/Tray

Ordering Information

LFH 254 X XX X XXXX

Pitch	Rows	PIN Number	Packing	Serial No
254=2.54	1: 单排 2: 双排 3: 三排 4: 四排	~99 (单排的PIN数)	A: 袋装 B: 管装 C: 盘装 D: 卷装 E: 袋加盒 F: 其它	0001~9999

PIN	DIM A	DIM B
2x1P	3.04	
2x2P	5.58	2.54
2x3P	8.12	5.08
2x4P	10.66	7.62
2x5P	13.20	10.16
2x6P	15.74	12.70
2x7P	18.28	15.24
2x8P	20.82	17.78
2x9P	23.36	20.32
2x10P	25.90	22.86
2x11P	28.44	25.40
2x12P	30.98	27.94
2x13P	33.52	30.48
2x14P	36.06	33.02
2x15P	38.60	35.56
2x16P	41.14	38.10
2x17P	43.68	40.64
2x18P	46.22	43.18
2x19P	48.76	45.72
2x20P	51.30	48.26
2x21P	53.84	50.80
2x22P	56.38	53.34
2x23P	58.92	55.88
2x24P	61.46	58.42
2x25P	64.00	60.96
2x26P	66.54	63.50
2x27P	69.08	66.04
2x28P	71.62	68.58
2x29P	74.16	71.12
2x30P	76.70	73.66
2x31P	79.24	76.20
2x32P	81.78	78.74
2x33P	84.32	81.28
2x34P	86.86	83.82
2x35P	89.40	86.36
2x36P	91.94	88.90
2x37P	94.48	91.44
2x38P	97.02	93.98
2x39P	99.56	96.52
2x40P	102.10	99.06

LD CONN 东莞连大精密制品有限公司 DongGuan LianDa Precision Products Co., LTD

TITLE	PH2.54X7.1 2X10P 180°双排 排母U型 闭口端子	DRAWN BY	ZW	04/08-'21
PART NO.	LFH254210C0021	CHECKED BY		
DRAWING NO.	—	APPROVED BY		
SCALE	1:1	UNIT	mm	PAGE 1/1
				SIZE A4