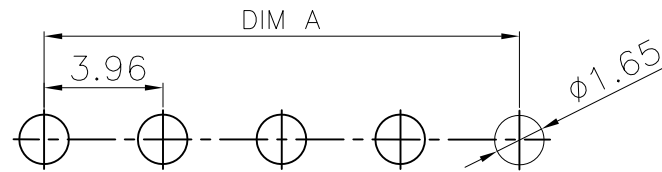
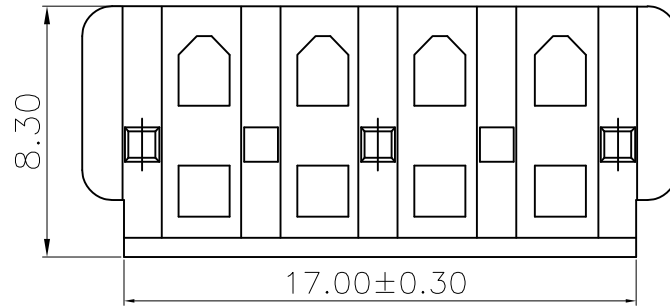
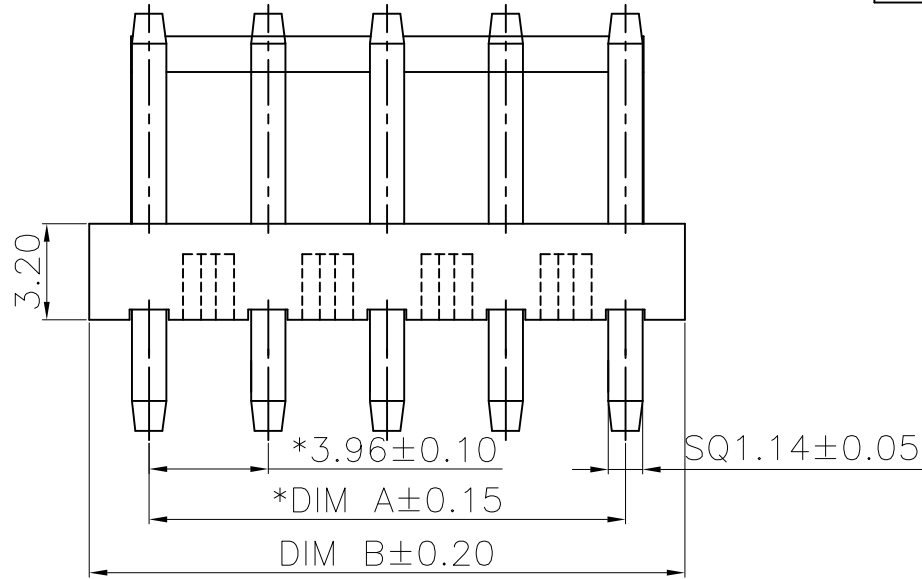
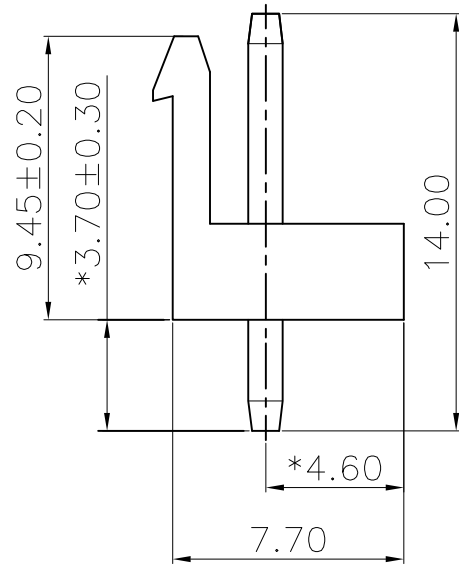


HSF RoHS

REV	ECN NO	DESCRIPTION	DATE	NAME
A	—	NEW	04/06-22	KJL



PCB LAYOUT

STANDARD TOLERANCE (EXCEPT SPECIFIED)	
LINER	ANGLES
.0 ±0.30	0.° ±3°
.00 ±0.20	.0° ±2°
.000 ±0.10	.00° ±1°

规范

Specifications

- 额定电流:7.0安培
Current Rating: 7.0Amps
- 额定电压:250V AC/DC
rated voltage: 250V AC/DC
- 绝缘电阻:最小 1000 MΩ
Insulation Resistance: 1000 MΩ Min
- 耐电压:1000V AC
Dielectric withstanding Voltage: 1000V AC
- 接触电阻:最大 20 mΩ
Contact Resistance: 20 mΩ Max
- 工作温度:-25°C ~ +85°C
Operating Temperature: -25°C to+85°C
- 接触材质:黄铜
Contact Material: Brass
- 电镀:锡加镍底
Plating:Sn Over Ni
- 绝缘材料:PA66,UL94V-0
Insulation Material: PA66,UL94V-0
- 标有“*”符号为主要尺寸
Marked “*” symbol are major dimensions
- 包装: 1000PCS/PE袋;
Packing: 1000PCS/PE bag

Pin No	Dimensions	
	Dim A	Dim B
2P	3.96	7.92
3P	7.92	11.88
4P	11.88	15.84
5P	15.84	19.80
6P	19.80	23.76
7P	23.76	27.72
8P	27.72	31.68
9P	31.68	35.64
10P	35.64	39.60
11P	39.60	43.56
12P	43.56	47.52
13P	47.52	51.48
14P	51.48	55.44
15P	55.44	59.40
16P	59.40	63.36

Ordering Information

LA3963 XX X XXXX

NO.of Pins Per Row: 01-99P
 Packing A:袋装 B:管装 C:盘装 D:卷装 E:袋加盒 F:其它
 Serial NO. 0001-9999

LDCONN 东莞连大精密制品有限公司
 連大 DongGuan LianDa Precision Products Co., LTD

TITLE	WF-Z PH3.96 1X5P 180°直背 贝吉色	DRAWN BY	KJL	04/06-22
PART NO.	LA396305A0004	CHECKED BY		
DRAWING NO.	—	APPROVED BY		
SCALE	1:1	UNIT	mm	PAGE 1/1
				SIZE A4