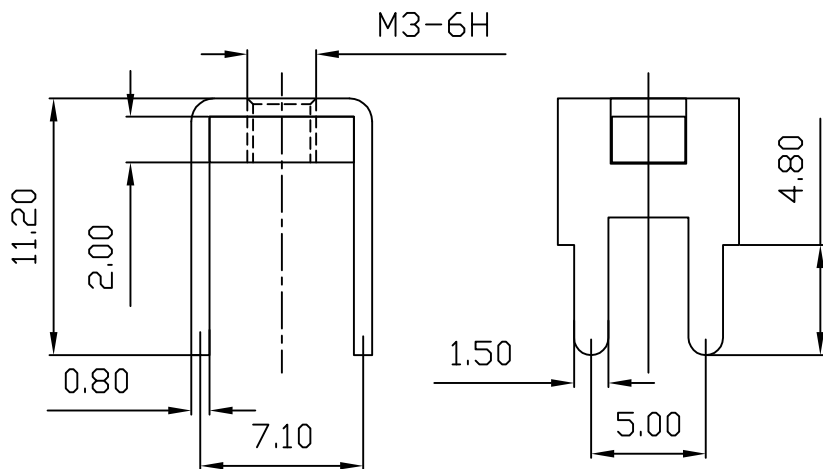
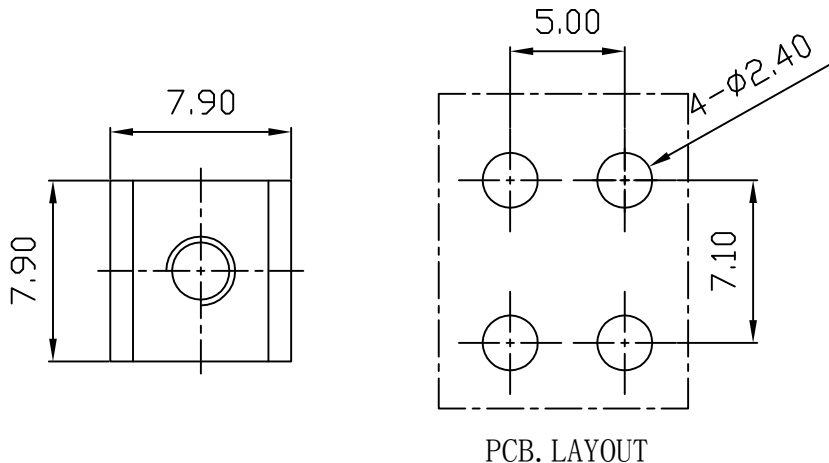
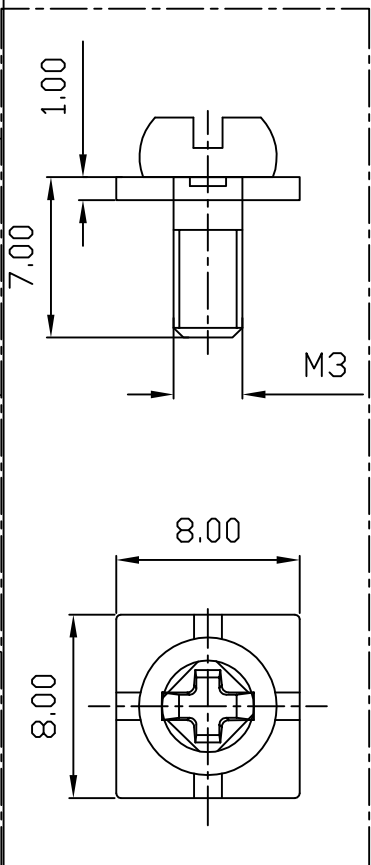


HSF RoHS

REV	ECN NO	DESCRIPTION	DATE	NAME
A	—	NEW	06/18'24	KJL



材料要求:

1. 插脚: H62
2. 垫片: SPCC

技术要求:

1. 电镀规格: 打铜底0.5~1um, 镍1~3um, 雾锡3~5um
2. 螺纹扭矩Torque: 6 lbf·in, 螺纹符合通止规要求;
3. 盐雾要求: 24小时;
4. 额定电流: 50A

Ordering Information

LQT X XX X XXXX

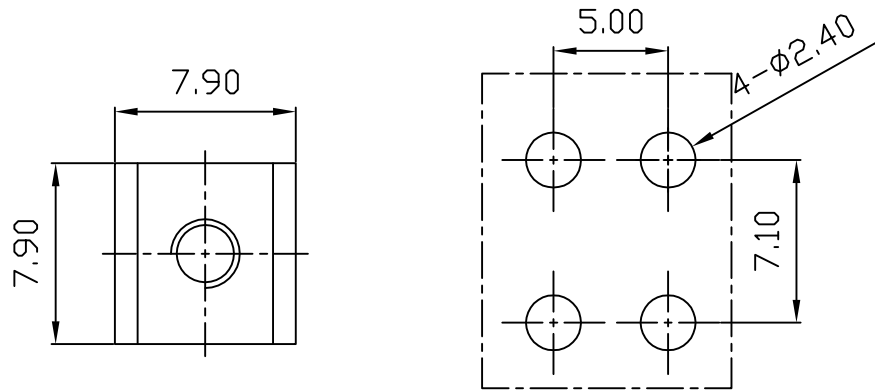
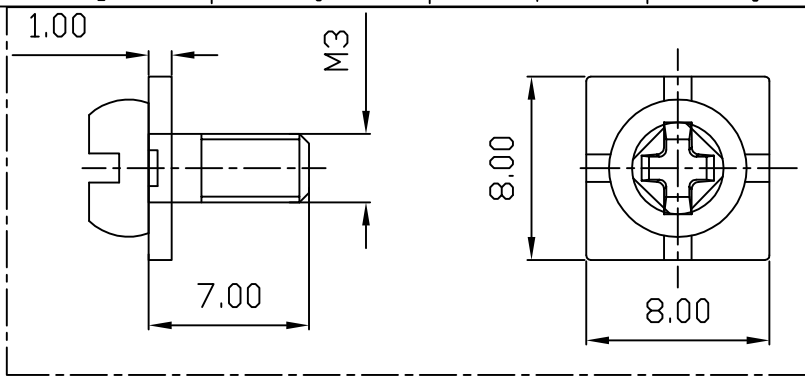
Code	PIN Number	Packing	Serial No
M:MALE F:FEMALE (不适用时0表示)	1~99 (总PIN数)	A:PE Bag 袋装 B:Tube 管装 C:Tray 盘装 D:Reel 卷装 E:Bag and Box 袋加盒 F:Other其他	0001~9999

LDCONN 东莞连大精密制品有限公司
DongGuan LianDa Precision Products Co., LTD

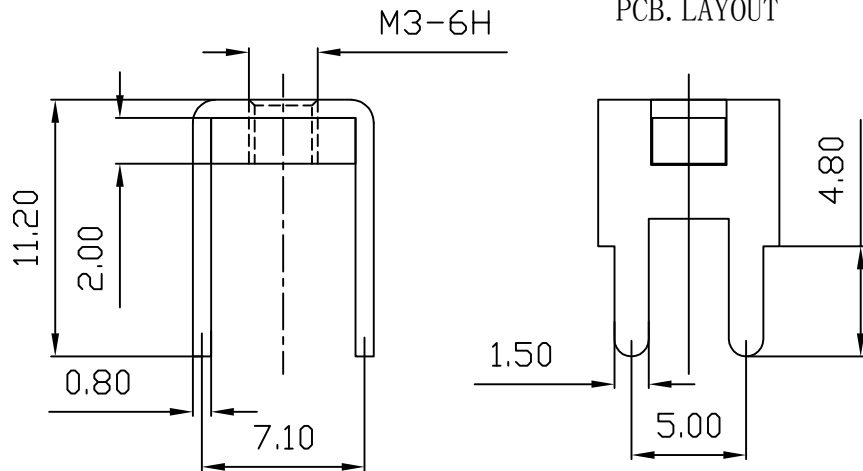
TITLE	铆垫片直插脚端子(M3螺牙)	DRAWN BY	KJL	06/18'24
PART NO.	LQT004A0004	CHECKED BY		
DRAWING NO.		APPROVED BY		
SCALE	1:1	UNIT	mm	PAGE 1/1
				SIZE A4

>120	±0.50		
>30~120	±0.30		
>6~30	±0.20		
0~6	±0.10	ANGLE	±1°

HSF RoHS



PCB. LAYOUT



REV	ECN NO	DESCRIPTION	DATE	NAME
A		NEW	06/18-'24	KJL

材料要求:

- 1.插脚: H62
- 2.垫片: SPCC

技术要求:

- 1.电镀规格: 打铜底0.5~1um, 镍1~3um, 雾锡3~5um
- 2.螺纹扭矩Torque: 6 lbf-in, 螺纹符合通止规要求;
- 3.盐雾要求: 24小时;
- 4.额定电流: 50A

Ordering Information

LQT X XX X XXXX

Code	PIN Number	Packing	Serial No
M:MALE F:FEMALE (不适用时0表示)	1~99 (总PIN数)	A:PE Bag 袋装 B:Tube 管装 C:Tray 盘装 D:Reel 卷装 E:Bag and Box 袋加盒 F:Other其他	0001~9999

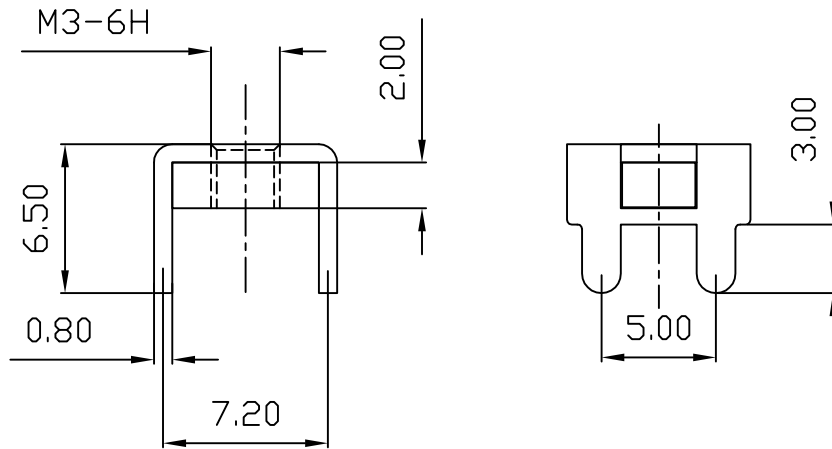
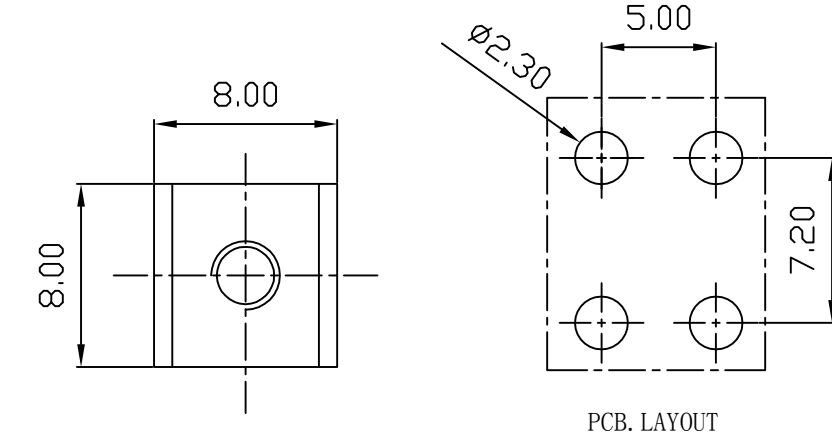
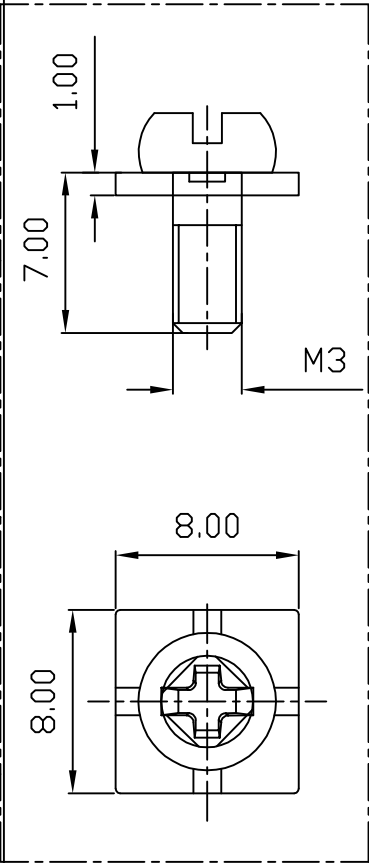
LD CONN 东莞连大精密制品有限公司
DongGuan LianDa Precision Products Co., LTD

TITLE	铆垫片直插脚(M3螺牙)	DRAWN BY	KJL	06/18-'24
PART NO.	LQT004A0005	CHECKED BY		
DRAWING NO.		APPROVED BY		
SCALE	1:1	UNIT	mm	PAGE 1/1
				SIZE A4

>120	±0.50		
>30~120	±0.30		
>6~30	±0.20		
0~6	±0.10	ANGLE	±1°

HSF RoHS

REV	ECN NO	DESCRIPTION	DATE	NAME
A	—	NEW	06/18-'24	KJL



材料要求:

1. 插脚: H62
2. 垫片: SPCC

技术要求:

1. 电镀规格: 打铜底0.5~1um, 镍1~3um, 雾锡3~5um
2. 螺纹扭矩Torque: 6 lbf·in, 螺纹符合通止规要求;
3. 盐雾要求: 24小时;
4. 额定电流: 50A

Ordering Information

LQT	X	XX	X	XXXX
Code	PIN Number	Packing	Serial No	
M: MALE F: FEMALE (不适用时0表示)	1~99 (总PIN数)	A: PE Bag 袋装 B: Tube 管装 C: Tray 盘装 D: Reel 卷装 E: Bag and Box 袋加盒 F: Other 其他	0001~9999	

铆垫片直插脚
TERMINAL

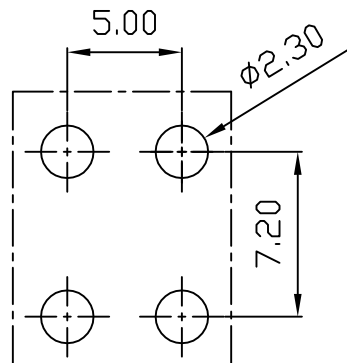
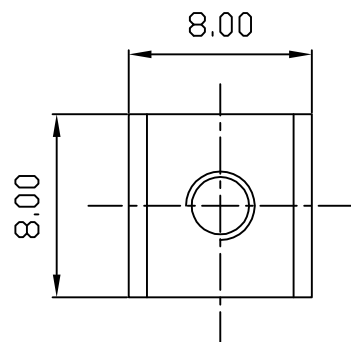
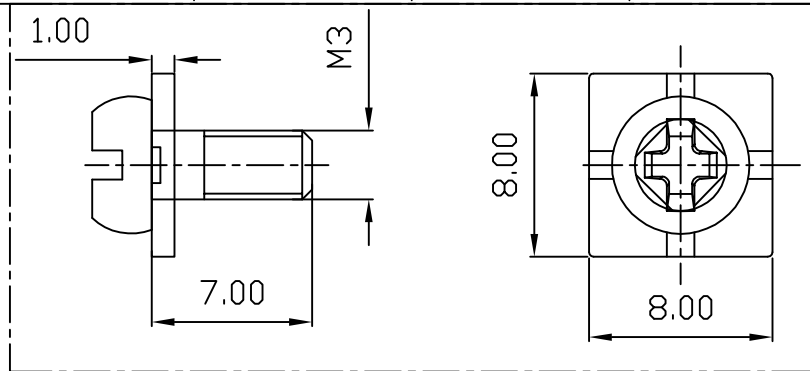
LDCONN 东莞连大精密制品有限公司
DongGuan LianDa Precision Products Co., LTD

TITLE	铆垫片直插脚端子(M3螺牙) H=6.5mm	DRAWN BY	KJL	06/18-'24
PART NO.	LQT004A0006	CHECKED BY		
DRAWING NO.	—	APPROVED BY		

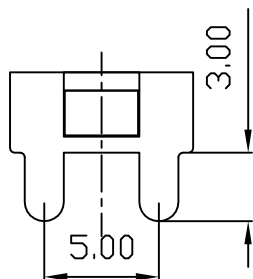
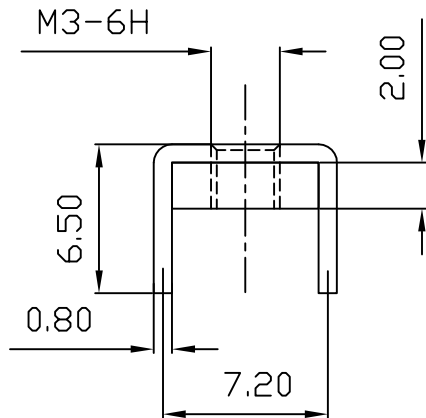
>120	±0.50		
>30~120	±0.30		
>6~30	±0.20		
0~6	±0.10	ANGLE	±1°

SCALE	1:1	UNIT	mm		PAGE	1/1	SIZE	A4
-------	-----	------	----	--	------	-----	------	----

HSF RoHS



PCB. LAYOUT



REV	ECN NO	DESCRIPTION	DATE	NAME
A		NEW	06/18-'24	KJL

材料要求:

- 1.插脚: H62
- 2.垫片: SPCC

技术要求:

- 1.电镀规格: 打铜底0.5~1um, 镍1~3um, 雾锡3~5um
- 2.螺纹扭矩Torque: 6 lbf·in, 螺纹符合通止规要求;
- 3.盐雾要求: 24小时;
- 4.额定电流: 50A

Ordering Information

LQT X XX X XXXX

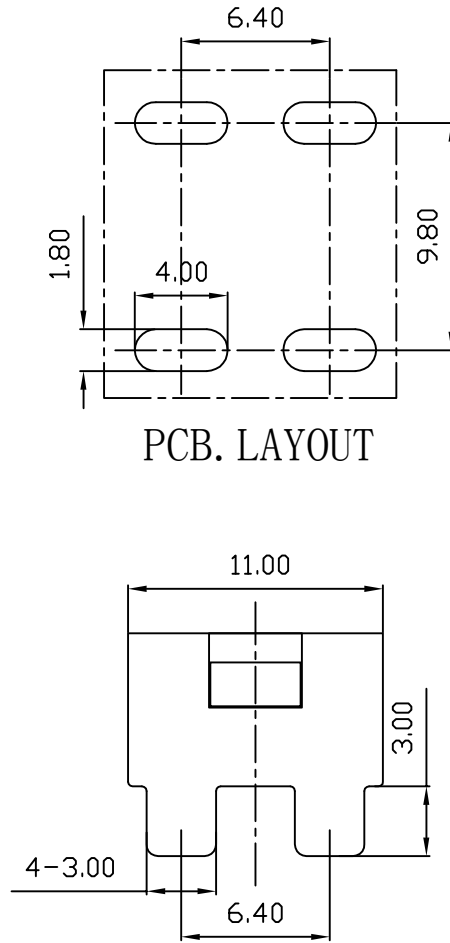
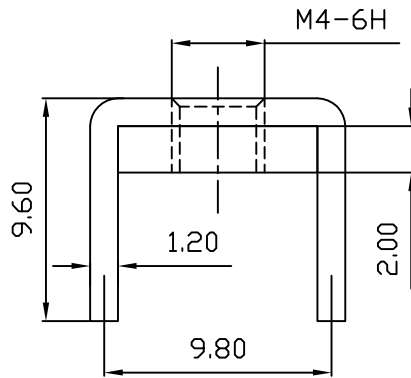
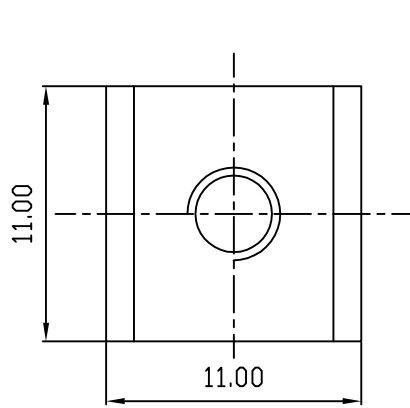
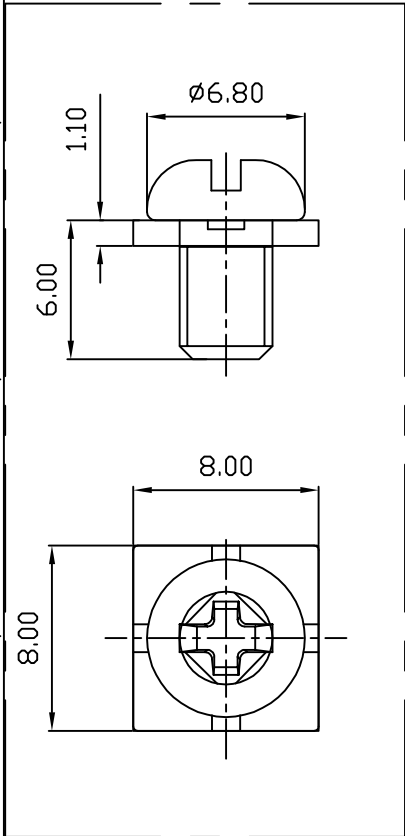
Code	PIN Number	Packing	Serial No
M: MALE F: FEMALE (不适用时0表示)	1~99 (总PIN数)	A: PE Bag 袋装 B: Tube 管装 C: Tray 盘装 D: Reel 卷装 E: Bag and Box 袋加盒 F: Other 其他	0001~9999

LD CONN 东莞连大精密制品有限公司
DongGuan LianDa Precision Products Co., LTD

TITLE	铆垫片直插脚(M3螺牙)H=6.5mm	DRAWN BY	KJL	06/18-'24
PART NO.	LQT004AXXXX	CHECKED BY		
DRAWING NO.		APPROVED BY		
SCALE	1:1	UNIT	mm	PAGE 1/1
				SIZE A4

>120	±0.50		
>30~120	±0.30		
>6~30	±0.20		
0~6	±0.10	ANGLE	±1°

REV	ECN NO	DESCRIPTION	DATE	NAME
A	—	NEW	06/18'24	KJL



材料要求:

1. 插脚: H62
2. 垫片: SPCC

技术要求:

1. 电镀规格: 打铜底0.5~1um, 镍1~3um, 雾锡3~5um
2. 螺纹扭矩Torque: 14 lbf · in, 螺纹符合通止规要求;
3. 盐雾要求: 24小时;
4. 额定电流: 80A

Ordering Information

LQT X XX X XXXX

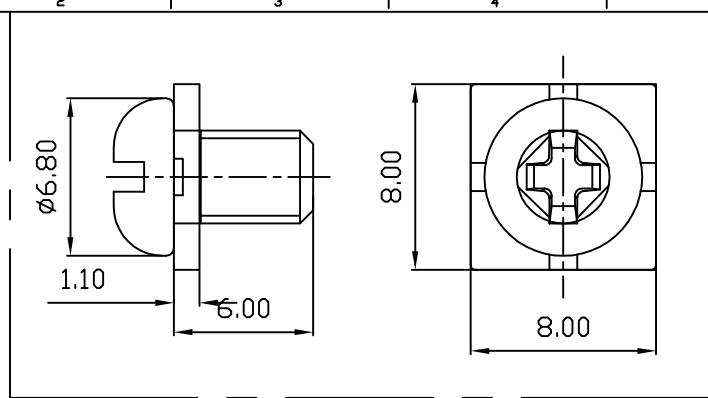
Code	PIN Number	Packing	Serial No
M: MALE F: FEMALE (不适用时0表示)	1~99 (总PIN数)	A: PE Bag 袋装 B: Tube 管装 C: Tray 盘装 D: Reel 卷装 E: Bag and Box 袋加盒 F: Other 其他	0001~9999

LDCONN 东莞连大精密制品有限公司
DongGuan LianDa Precision Products Co., LTD

TITLE	引脚端子 (M4螺牙) H=6mm	DRAWN BY	KJL	06/18'24
PART NO.	LQT004A0009	CHECKED BY		
DRAWING NO.		APPROVED BY		
SCALE	1:1	UNIT	mm	PAGE 1/1
				SIZE A4

>120	±0.50		
>30~120	±0.30		
>6~30	±0.20		
0~6	±0.10	ANGLE	±1°

HSF RoHS



REV	ECN NO	DESCRIPTION	DATE	NAME
A	—	NEW	06/18'24	KJL

材料要求:

- 1.插脚: H62
- 2.垫片: SPCC

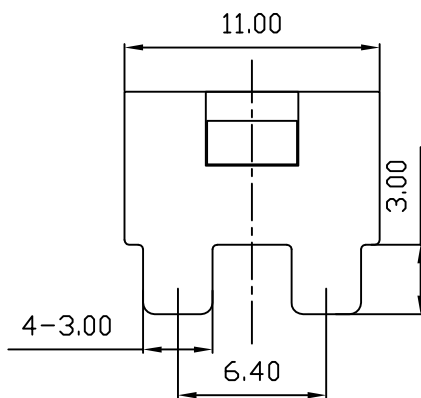
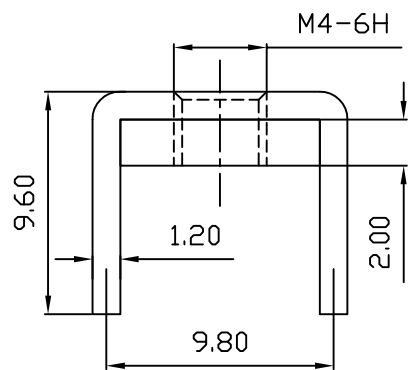
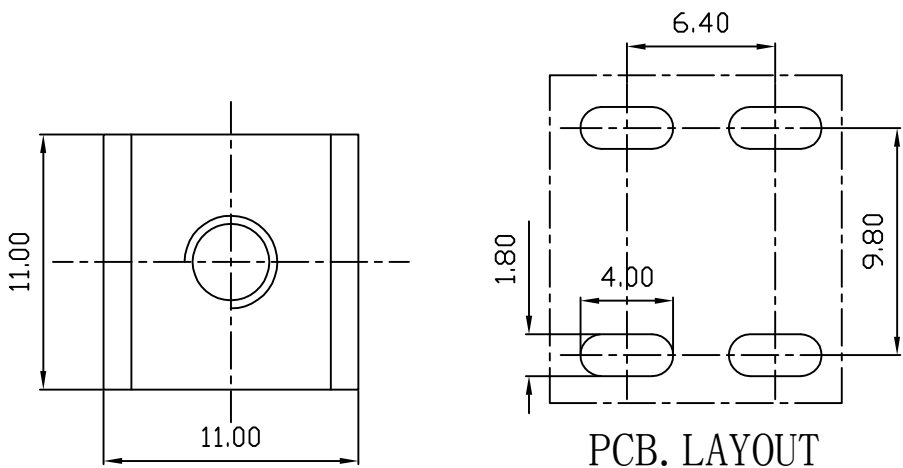
技术要求:

- 1.电镀规格: 打铜底0.5~1um, 镍1~3um, 雾锡3~5um
2. 螺纹扭矩Torque: 14 lbf · in, 螺纹符合通止规要求;
- 3.盐雾要求: 24小时;
- 4.额定电流: 80A

Ordering Information

LQT X XX X XXXX

Code	PIN Number	Packing	Serial No
M: MALE F: FEMALE (不适用时0表示)	1~99 (总PIN数)	A: PE Bag 袋装 B: Tube 管装 C: Tray 盘装 D: Reel 卷装 E: Bag and Box 袋加盒 F: other 其他	0001~9999



>120	±0.50		
>30~120	±0.30		
>6~30	±0.20		
0~6	±0.10	ANGLE	±1°

LD CONN 东莞连大精密制品有限公司
DongGuan LianDa Precision Products Co., LTD

TITLE	铆垫片直插脚(M4螺牙)H=6mm	DRAWN BY	KJL	06/18'24
PART NO.	LQT004A0010	CHECKED BY		
DRAWING NO.	—	APPROVED BY		
SCALE	1:1	UNIT	mm	PAGE 1/1
				SIZE A4