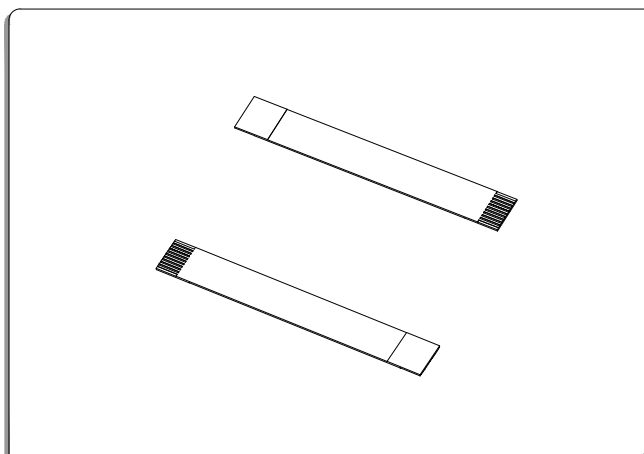
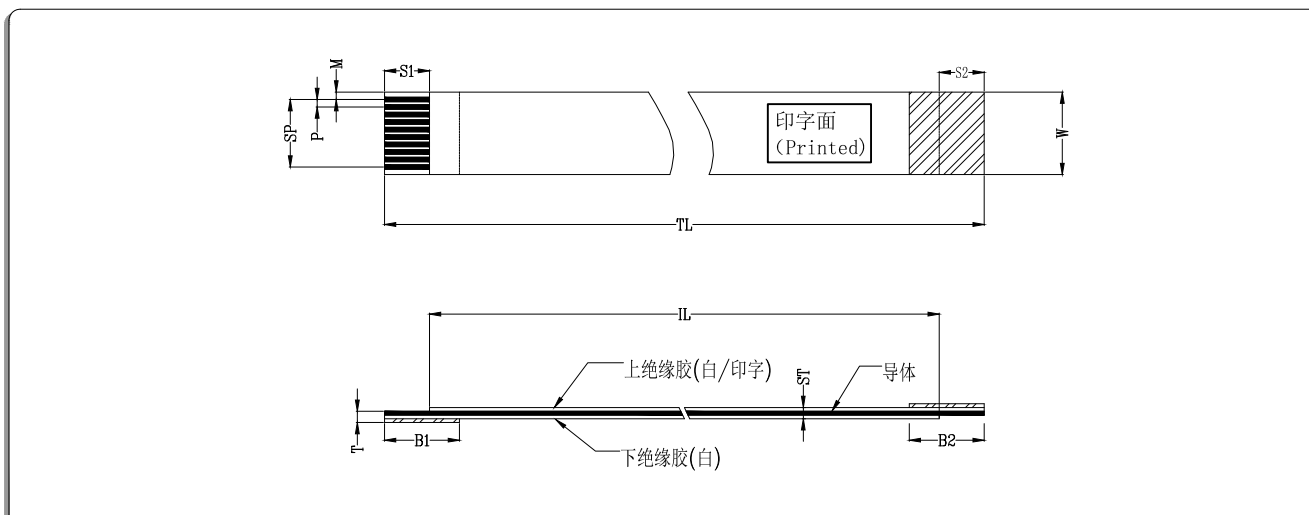


FFC Connector 0.5mm Pitch 反面



DIMENSION (尺寸)	
NO of conductors (导体数目)	N
Pitch (间距)	P
Span (总间距)	SP
Width (宽度)	W
Margin (边距)	M
	/
Total length (总长)	TL
Insulator length (绝缘胶长)	IL
Insert Thickness (插接端厚度)	T
Surface Thickness (线身厚度)	ST
Strip Length (裸铜长度)	S1
	S2
Supporting Tapelength (补强板长度)	B1
	B2



CKT	Part No	SP	W	TL
4	B0.5*04*60	1.50	2.50	60
5	B0.5*05*60	2.00	3.00	60
6	B0.5*06*60	2.50	3.50	60
7	B0.5*07*60	3.00	4.00	60
8	B0.5*08*60	3.50	4.50	60
9	B0.5*09*60	4.00	5.00	60
10	B0.5*10*60	4.50	5.50	60
11	B0.5*11*100	5.00	6.00	100
12	B0.5*12*100	5.50	6.50	100
13	B0.5*13*100	6.00	7.00	100
—	— —	—	—	—