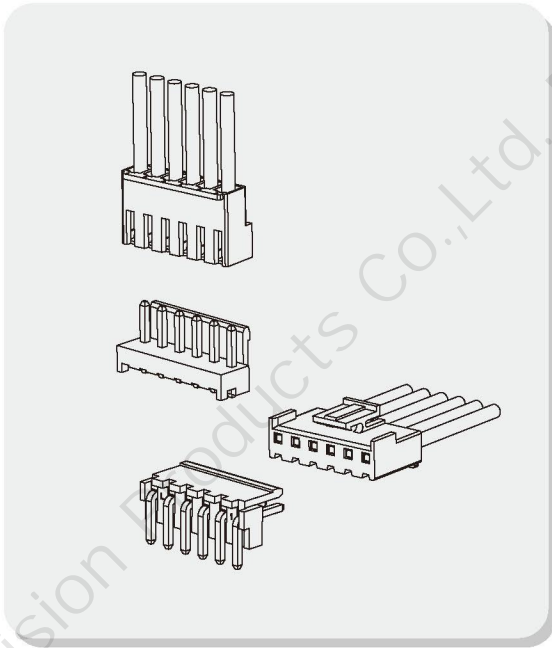


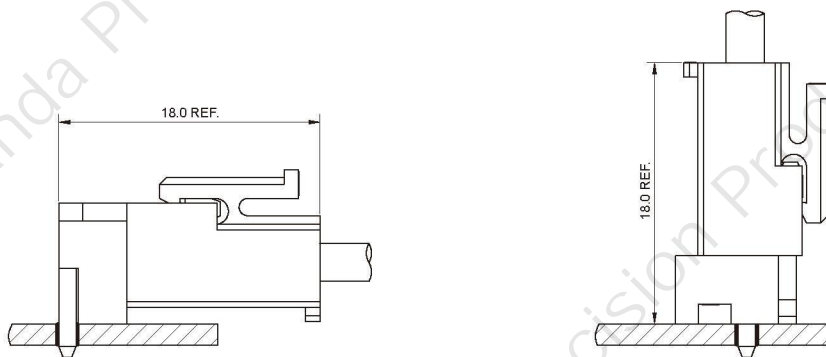
## T3966 SERIES 3.96mm pitch Through Hole Reflow Type Connector



### ■ Specifications

- Contact resistance:  $\leq 20\text{m}\Omega$
- Insulation resistance:  $\geq 1000\text{M}\Omega$
- Rated voltage: 250V AC DC
- Rated current: 7.0A AC DC
- Withstand voltage: 1500V AC/minute
- Temperature range:  $-25^{\circ}\text{C} \sim +105^{\circ}\text{C}$

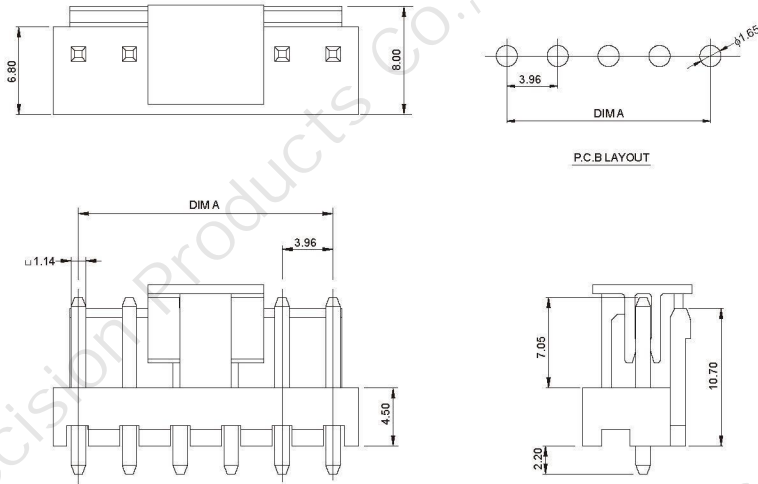
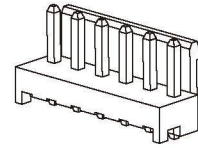
### ■ Assembly Layout



# T3966 SERIES 3.96mm pitch Through Hole Reflow Type Connector

## T3966A (3.96mm pitch 180°Wafer DIP TYPE)

- Reference Information:
- Material: Pin: Brass/Tin-plated
- Wafer: LCP,UL94V-0
- Mates with A3962 series Housing

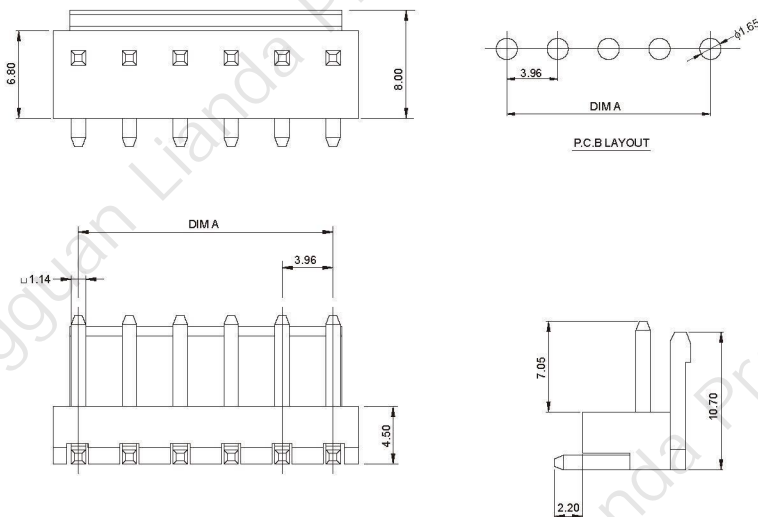
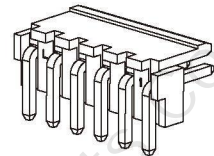


### Ordering Information & Dimensions:

Circuit	Dimensions(mm)	
	A	B
02	3.96	7.94
03	7.92	11.90
04	11.88	15.82
05	15.84	19.82
06	19.80	23.78
07	23.76	27.74
08	27.72	31.70

## T3966AW (3.96mm pitch 90°Wafer DIP TYPE)

- Reference Information:
- Material: Pin: Brass/Tin-plated
- Wafer: LCP,UL94V-0
- Mates with A3962 series Housing



### Ordering Information & Dimensions:

Circuit	Dimensions(mm)	
	A	B
02	3.96	7.94
03	7.92	11.90
04	11.88	15.82
05	15.84	19.82
06	19.80	23.78
07	23.76	27.74
08	27.72	31.70

WIRE TO BOARD

BOARD TO BOARD

WIRE TO WIRE

FPC SERIES

THR SERIES

LIGHTING SERIES

OTHER SERIES