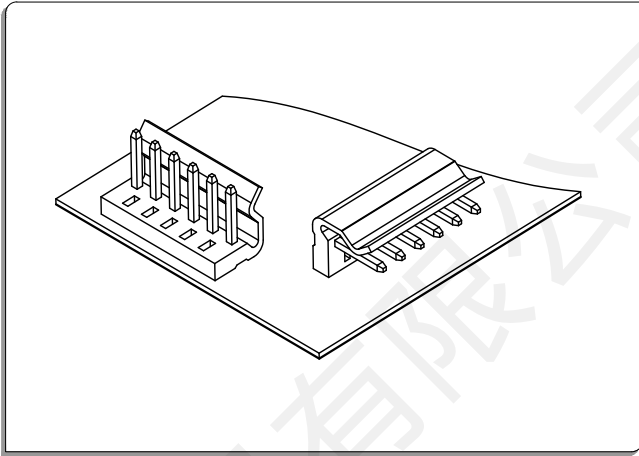


# WT3960 (2139/3.96) Connector 3.96mm Pitch

WTB  
3.96

WT3960 (2139/3.96) Connector 3.96mm Pitch

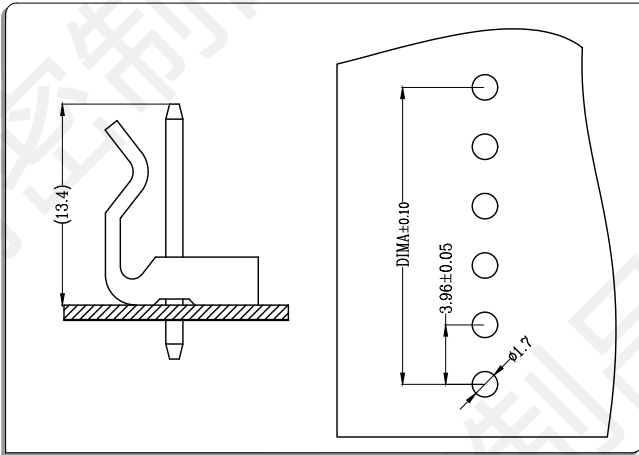


## ● 技术参数 SPECIFICATIONS

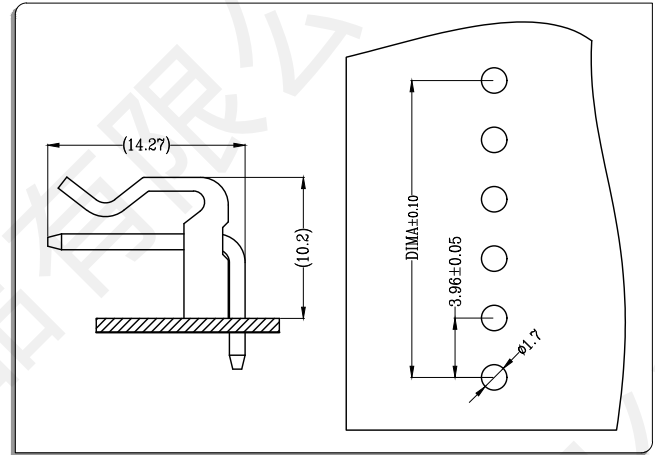
- 1、极数CKT: 2Pin to 16Pin
- 2、额定电流Current rating: 7A AC/DC
- 3、额定电压Voltage rating(max): 250V, AC/DC
- 4、工作温度Working Temperature: -25°C~+85°C, (含通电温度上升值)  
(Including temperature rise in applying electrical current)
- 5、接触电阻Contact resistance: 初始Initial value  $\leq 20m\Omega$   
环境测试后After environmental testing  $\leq 30m\Omega$
- 6、绝缘电阻Insulation resistance:  $\geq 1000M\Omega$
- 7、耐电压Withstand voltage: 1500VAC (rms)
- 8、适用线规 Applicable wire: AWG #22 to #16
- 9、适用基板厚度Applicable PC board thickness: 1.6mm to 2.0mm

## ● 安装尺寸 Mounting Measurement

### ● 立式 Straight Angle

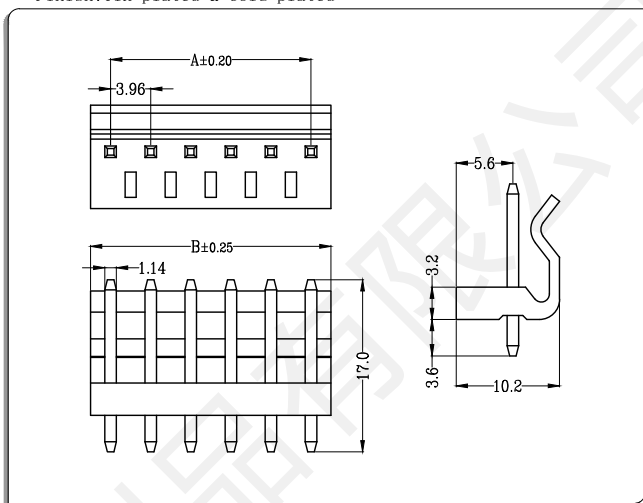


### ● 卧式 Right Angle



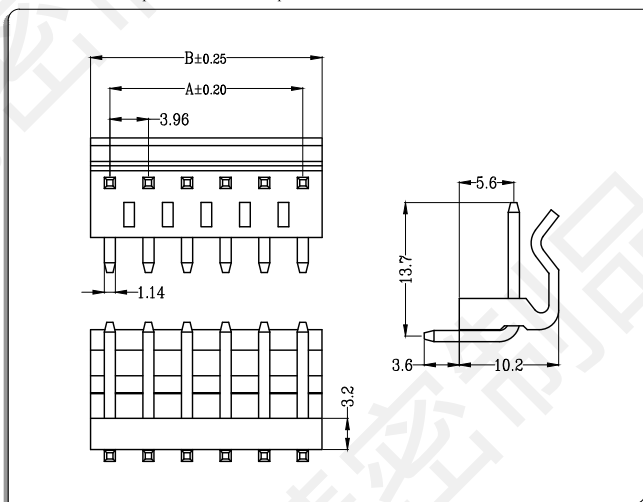
# WT3960 (2139/3.96) Connector 3.96mm Pitch

- 针座 Wafer
- 材料与表面处理 Material and Finish:  
Housing:Nylon 66 UL94V-2 & Terminal:Brass  
Finish:Tin-plated & Gold-plated



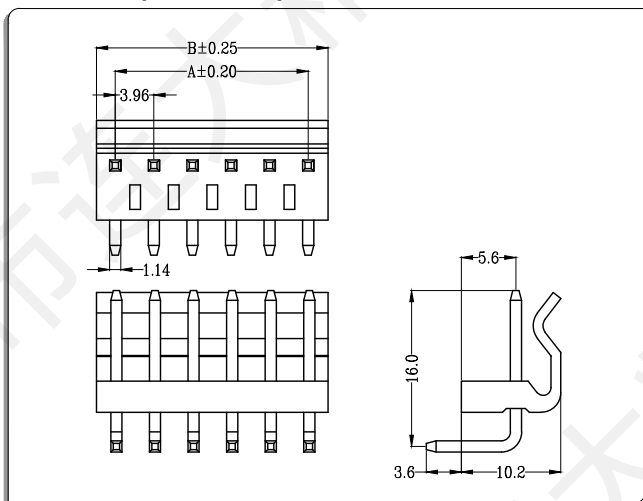
| CKT | Part No    | DIM A | DIM B |
|-----|------------|-------|-------|
| 2   | WT3960L-02 | 3.96  | 7.92  |
| 3   | WT3960L-03 | 7.92  | 11.88 |
| 4   | WT3960L-04 | 11.88 | 15.84 |
| 5   | WT3960L-05 | 15.84 | 19.80 |
| 6   | WT3960L-06 | 19.80 | 23.76 |
| 7   | WT3960L-07 | 23.76 | 27.72 |
| 8   | WT3960L-08 | 27.72 | 31.68 |
| 9   | WT3960L-09 | 31.68 | 35.64 |
| 10  | WT3960L-10 | 35.64 | 39.60 |
| 11  | WT3960L-11 | 39.60 | 43.56 |
| 12  | WT3960L-12 | 43.56 | 47.52 |
| —   | — —        | —     | —     |
| 16  | WT3960L-16 | 59.40 | 63.36 |

- 材料与表面处理 Material and Finish:  
Housing:Nylon 66 UL94V-2 & Terminal:Brass  
Finish:Tin-plated & Gold-plated



| CKT | Part No    | DIM A | DIM B |
|-----|------------|-------|-------|
| 2   | WT3960W-02 | 3.96  | 7.92  |
| 3   | WT3960W-03 | 7.92  | 11.88 |
| 4   | WT3960W-04 | 11.88 | 15.84 |
| 5   | WT3960W-05 | 15.84 | 19.80 |
| 6   | WT3960W-06 | 19.80 | 23.76 |
| 7   | WT3960W-07 | 23.76 | 27.72 |
| 8   | WT3960W-08 | 27.72 | 31.68 |
| 9   | WT3960W-09 | 31.68 | 35.64 |
| 10  | WT3960W-10 | 35.64 | 39.60 |
| 11  | WT3960W-11 | 39.60 | 43.56 |
| 12  | WT3960W-12 | 43.56 | 47.52 |
| —   | — —        | —     | —     |
| 16  | WT3960W-16 | 59.40 | 63.36 |

- 材料与表面处理 Material and Finish:  
Housing:Nylon 66 UL94V-2 & Terminal:Brass  
Finish:Tin-plated & Gold-plated



| CKT | Part No    | DIM A | DIM B |
|-----|------------|-------|-------|
| 2   | WT3960W-02 | 3.96  | 7.92  |
| 3   | WT3960W-03 | 7.92  | 11.88 |
| 4   | WT3960W-04 | 11.88 | 15.84 |
| 5   | WT3960W-05 | 15.84 | 19.80 |
| 6   | WT3960W-06 | 19.80 | 23.76 |
| 7   | WT3960W-07 | 23.76 | 27.72 |
| 8   | WT3960W-08 | 27.72 | 31.68 |
| 9   | WT3960W-09 | 31.68 | 35.64 |
| 10  | WT3960W-10 | 35.64 | 39.60 |
| 11  | WT3960W-11 | 39.60 | 43.56 |
| 12  | WT3960W-12 | 43.56 | 47.52 |
| —   | — —        | —     | —     |
| 16  | WT3960W-16 | 59.40 | 63.36 |

WTB  
3.96

WT3960 (2139/3.96) Connector 3.96mm Pitch