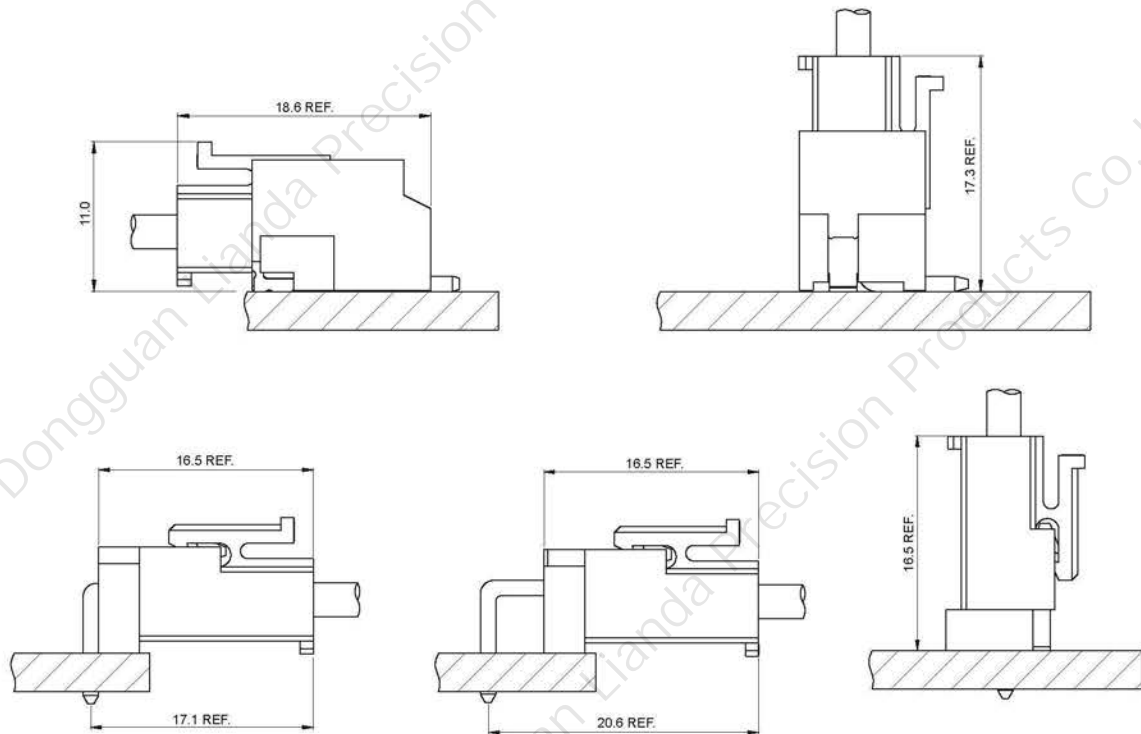


■ **Specifications**

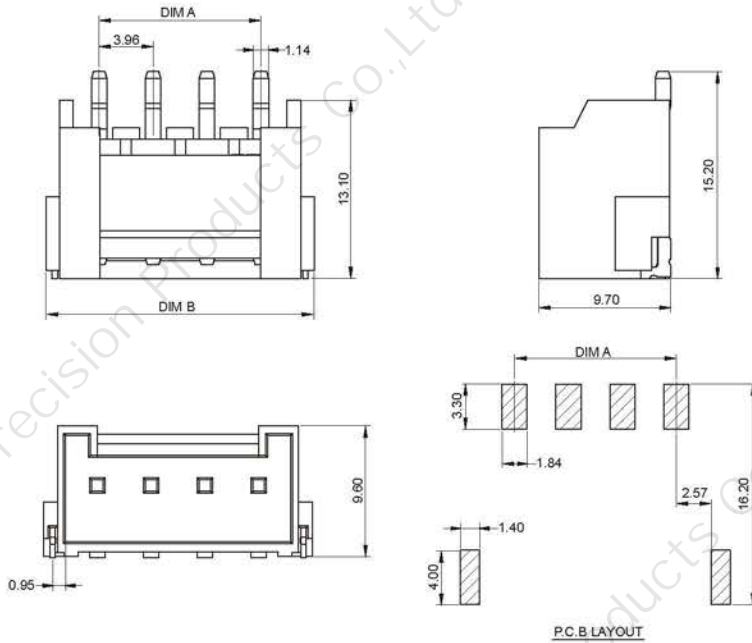
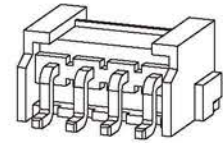
- Contact resistance: $\leq 20\text{m}\Omega$
- Insulation resistance: $\geq 1000\text{M}\Omega$
- Rated voltage: 250V AC DC
- Rated current: 7.0A AC DC
- Withstand voltage: 1500V AC/minute
- Temperature range: $-40^\circ\text{C} \sim +105^\circ\text{C}$

■ **Assembly Layout**



A3962AWR (3.96mm pitch 90°Wafer SMT TYPE)

- Reference Information:
- Material: Pin: Brass/Tin-plated
- Solder Tabs: Brass/Tin-plated
- Wafer: PA9T,UL94V-0
- Mates with A3962 series Housing

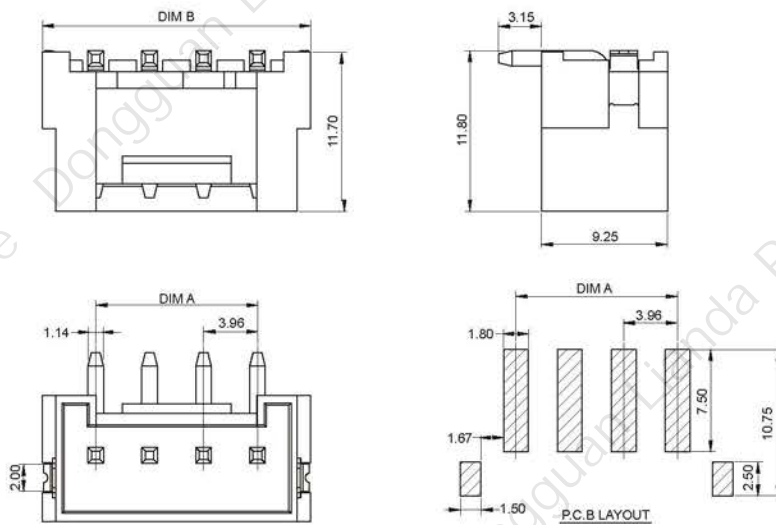
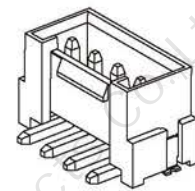


Ordering Information & Dimensions:

Circuit	Dimensions(mm)	
	A	B
02	3.96	11.88
03	7.92	15.84
04	11.88	19.80
05	15.84	23.76
06	19.80	27.72
07	23.76	31.68
08	27.72	35.64
09	31.68	39.60
10	35.64	43.56

A3962AWV (3.96mm pitch 180°Wafer SMT TYPE)

- Reference Information:
- Material: Pin:Brass/Tin-plated
- Solder Tabs: Phosphor Bronze/Tin-plated
- Wafer: PA9T,UL94V-0
- Mates with A3962 series Housing



Ordering Information & Dimensions:

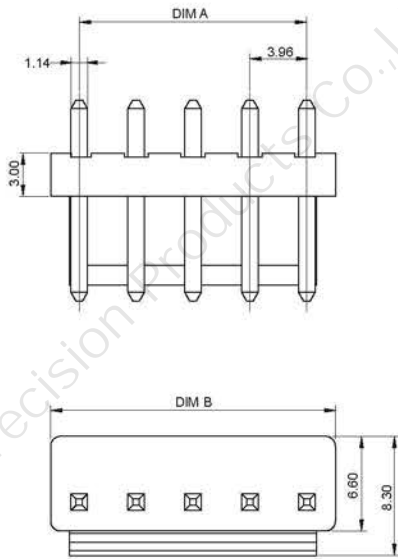
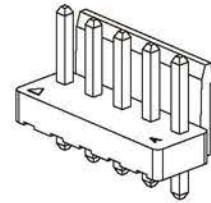
Circuit	Dimensions(mm)	
	A	B
02	3.96	11.88
03	7.92	15.84
04	11.88	19.80
05	15.84	23.76
06	19.80	27.72
07	23.76	31.68
08	27.72	35.64
09	31.68	39.60
10	35.64	43.56

A3962 SERIES

3.96mm pitch wire to board connector

A3962A (3.96mm pitch 180°Wafer DIP TYPE)

- Reference Information:
- Material: Pin: Brass/Tin-plated
- Wafer: PA66,UL94V-0(2)
- Mates with A3962 series Housing

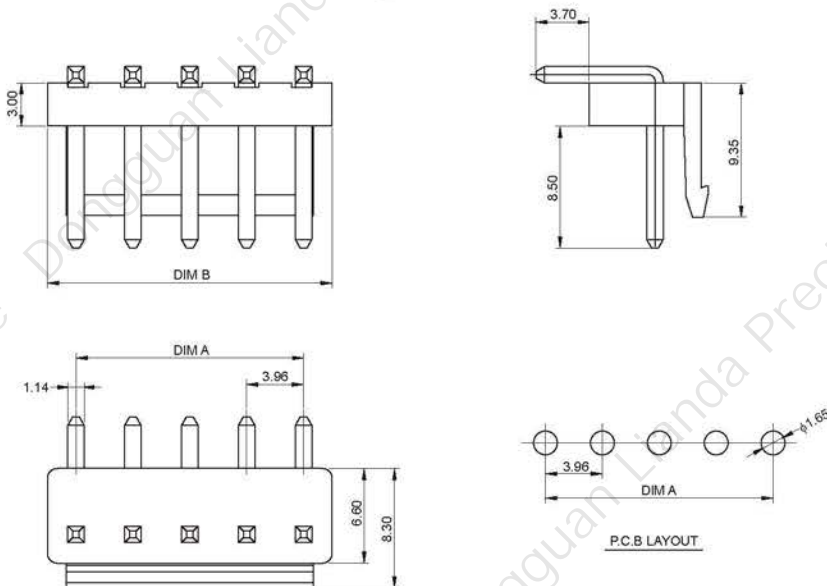
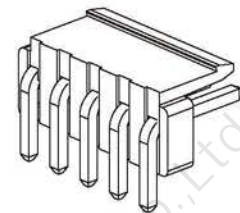


Ordering Information & Dimensions:

Circuit	Dimensions(mm)	
	A	B
02	3.96	7.94
03	7.92	11.90
04	11.88	15.82
05	15.84	19.82
06	19.80	23.78
07	23.76	27.74
08	27.72	31.70
09	31.68	35.66
10	35.64	39.62
11	39.60	43.58
12	43.56	47.54
13	47.52	51.50
14	51.48	55.46
15	55.44	59.42
16	59.40	63.38

A3962AW (3.96mm pitch 90°Wafer DIP TYPE)

- Reference Information:
- Material: Pin: Brass/Tin-plated
- Wafer: PA66,UL94V-0(2)
- Mates with A3962 series Housing



Ordering Information & Dimensions:

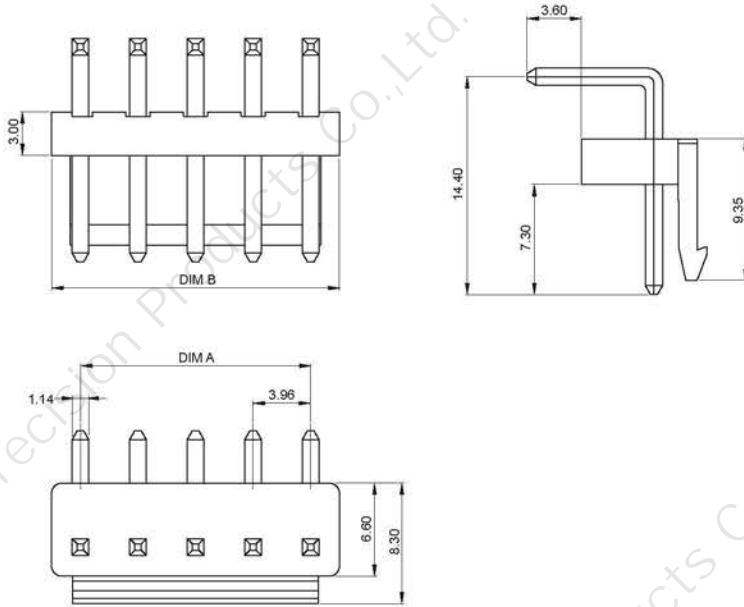
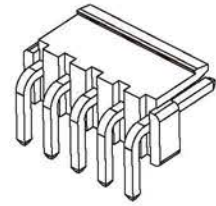
Circuit	Dimensions(mm)	
	A	B
02	3.96	7.94
03	7.92	11.90
04	11.88	15.82
05	15.84	19.82
06	19.80	23.78
07	23.76	27.74
08	27.72	31.70
09	31.68	35.66
10	35.64	39.62
11	39.60	43.58
12	43.56	47.54
13	47.52	51.50
14	51.48	55.46
15	55.44	59.42
16	59.40	63.38

A3962 SERIES

3.96mm pitch wire to board connector

A3962AWG (3.96mm pitch 90°Wafer DIP TYPE)

- Reference Information:
- Material: Pin: Brass/Tin-plated
- Wafer: PA66,UL94V-0(2)
- Mates with A3962 series Housing

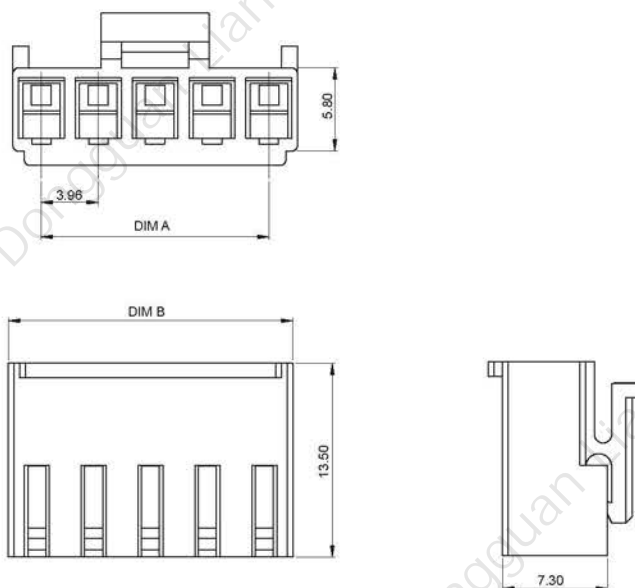
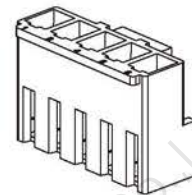


Ordering Information & Dimensions:

Circuit	Dimensions(mm)	
	A	B
02	3.96	7.94
03	7.92	11.90
04	11.88	15.82
05	15.84	19.82
06	19.80	23.78
07	23.76	27.74
08	27.72	31.70
09	31.68	35.66
10	35.64	39.62
11	39.60	43.58
12	43.56	47.54
13	47.52	51.50
14	51.48	55.46
15	55.44	59.42
16	59.40	63.38

A3962Y (3.96mm pitch Housing)

- Reference Information:
- Material: PA66,UL94V-0(2)
- Suitable A3962 series terminal
- Mates with A3962 series Wafer



Ordering Information & Dimensions:

Circuit	Dimensions(mm)	
	A	B
02	3.96	7.92
03	7.92	11.88
04	11.88	15.84
05	15.84	19.80
06	19.80	23.76
07	23.76	27.72
08	27.72	31.68
09	31.68	35.64
10	35.64	39.60
11	39.60	43.56
12	43.56	47.52
13	47.52	51.48
14	51.48	55.44
15	55.44	59.40
16	59.40	63.36

WIRE TO BOARD

BOARD TO BOARD

WIRE TO WIRE

FPC SERIES

THR SERIES

LIGHTING SERIES

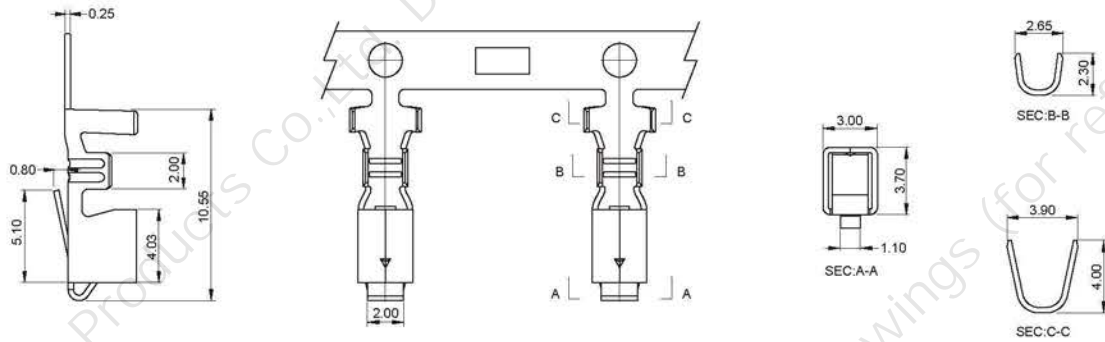
OTHER SERIES

A3962 SERIES

3.96mm pitch wire to board connector

A3962T (3.96mm pitch Terminal)

- Reference Information:
Used in A3962 series Housing



Ordering Information & Dimensions:

Part No	Wire Range	Insulation O.D.	Material	Finish	Qty/Reel
A3962T	AWG #22~#28	3.00mm(max)	Phosphor bronze	Tin-plated	3000PCS