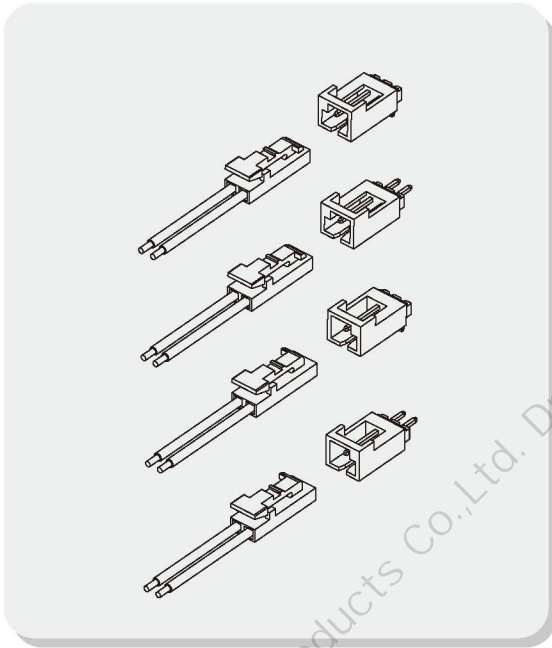


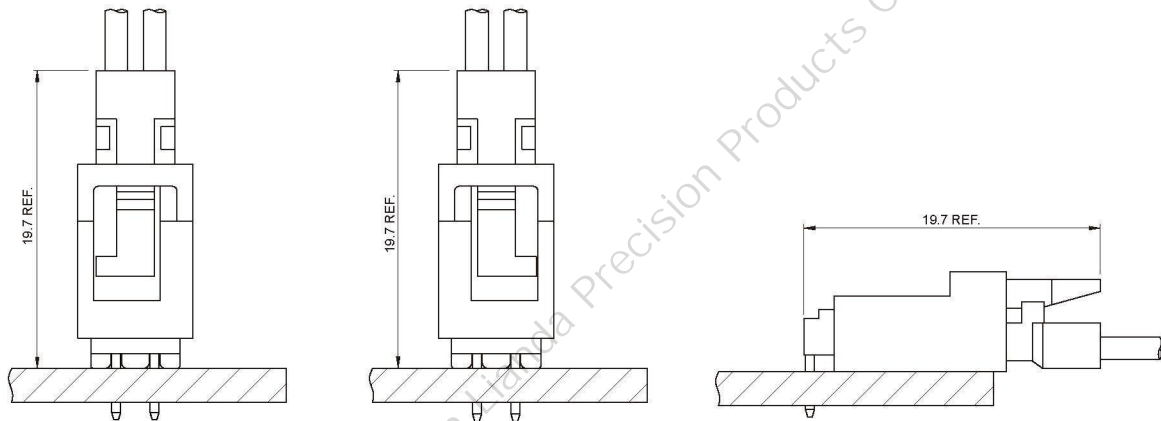
## A2544/A2545 SERIES 2.54mm pitch wire to board connector



### ■ Specifications

- Contact resistance:  $\leq 20\text{m}\Omega$
- Insulation resistance:  $\geq 1000\text{M}\Omega$
- Rated voltage: 250V AC DC
- Rated current: 3.0A AC DC
- Withstand voltage: 1500V AC/minute
- Temperature range:  $-25^{\circ}\text{C} \sim +85^{\circ}\text{C}$

### ■ Assembly Layout

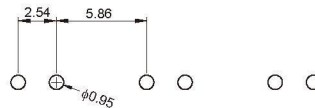
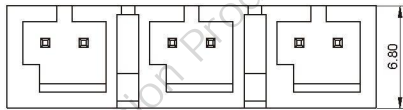
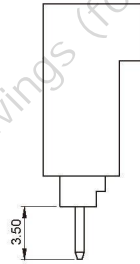
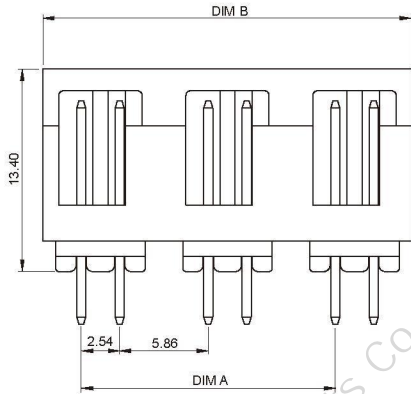
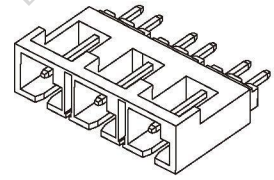


# A2544/A2545 SERIES 2.54mm pitch wire to board connector

## A2544A (2.54mm pitch 180°Wafer DIP TYPE)

■ Reference Information:

Material: Pin: Brass/Tin-plated  
 Wafer: PA66(Black),UL94V-0(2)  
 Mates with C2543P series Housing



P.C.B LAYOUT

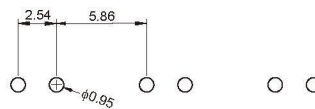
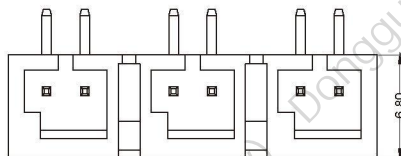
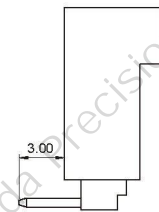
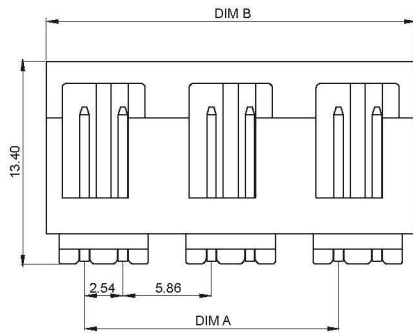
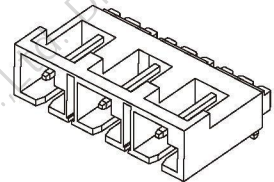
Ordering Information & Dimensions:

Circuit	Dimensions(mm)	
	A	B
02	7.60	7.60
04	8.40	16.00
06	16.80	24.40
08	25.20	32.80
10	33.60	41.20
12	42.00	49.60

## A2544AW (2.54mm pitch 90°Wafer DIP TYPE)

■ Reference Information:

Material: Pin: Brass/Tin-plated  
 Wafer: PA66(Black),UL94V-0(2)  
 Mates with C2543P series Housing



P.C.B LAYOUT

Ordering Information & Dimensions:

Circuit	Dimensions(mm)	
	A	B
02	7.60	7.60
04	8.40	16.00
06	16.80	24.40
08	25.20	32.80
10	33.60	41.20
12	42.00	49.60

# A2544/A2545 SERIES 2.54mm pitch wire to board connector

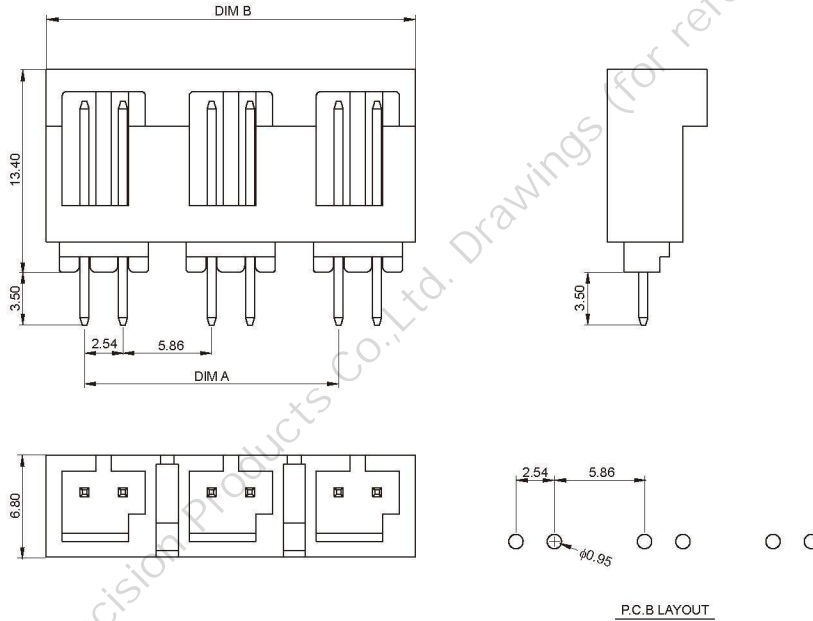
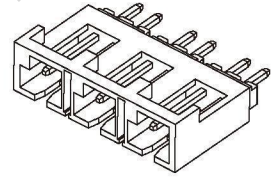
## A2545A (2.54mm pitch 180°Wafer DIP TYPE)

■ Reference Information:

Material: Pin: Brass/Tin-plated

Wafer: PA66(White),UL94V-0(2)

Mates with C2542P series Housing



Ordering Information & Dimensions:

Circuit	Dimensions(mm)	
	A	B
02	7.60	7.60
04	8.40	16.00
06	16.80	24.40
08	25.20	32.80
10	33.60	41.20
12	42.00	49.60

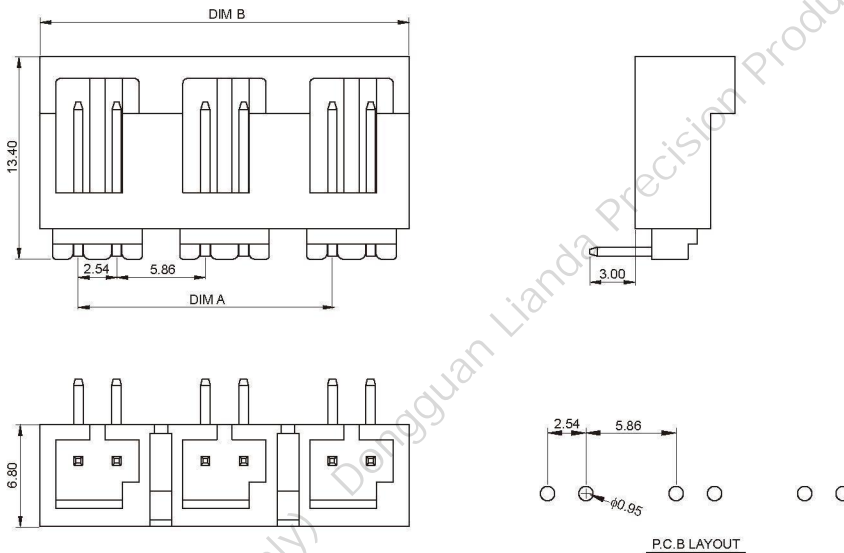
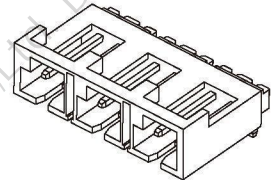
## A2545AW (2.54mm pitch 90°Wafer DIP TYPE)

■ Reference Information:

Material: Pin: Brass/Tin-plated

Wafer: PA66(White),UL94V-0(2)

Mates with C2542P series Housing



Ordering Information & Dimensions:

Circuit	Dimensions(mm)	
	A	B
02	7.60	7.60
04	8.40	16.00
06	16.80	24.40
08	25.20	32.80
10	33.60	41.20
12	42.00	49.60