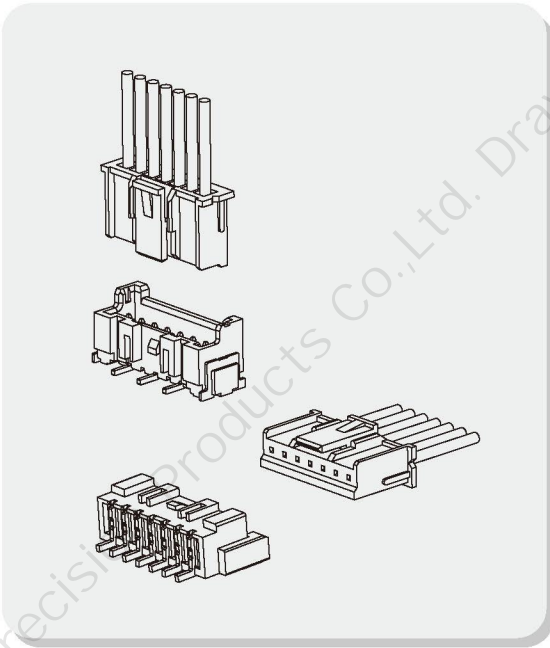


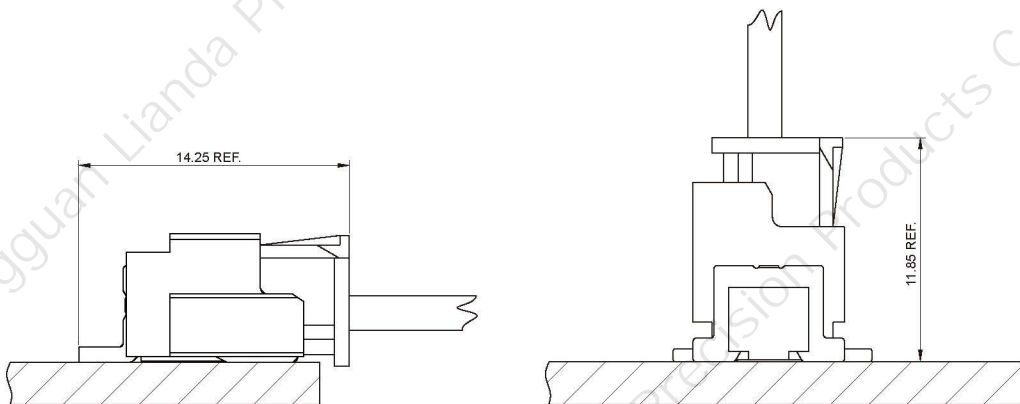
A2507 SERIES 2.50mm pitch wire to board connector



■ Specifications

- Contact resistance: $\leq 10\text{m}\Omega$
- Insulation resistance: $\geq 1000\text{M}\Omega$
- Rated voltage: 250V AC DC
- Rated current: 3.0A AC DC
- Withstand voltage: 1000V AC/minute
- Temperature range: $-40^{\circ}\text{C} \sim +105^{\circ}\text{C}$

■ Assembly Layout



WIRE TO BOARD

BOARD TO BOARD

WIRE TO WIRE

FPC SERIES

THR SERIES

LIGHTING SERIES

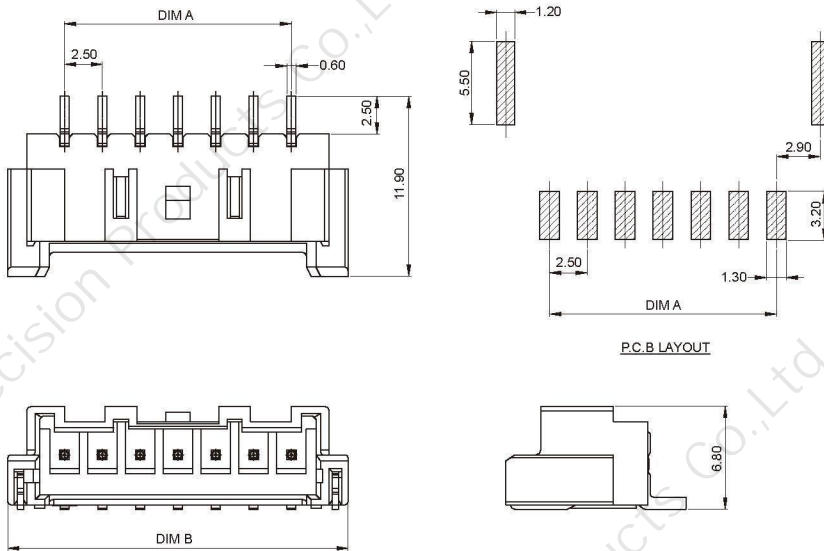
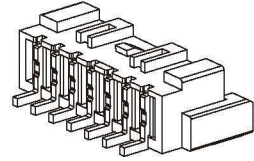
OTHER SERIES

A2507 SERIES 2.50mm pitch wire to board connector

A2507AWR (2.50mm pitch 90°Wafer SMT TYPE)

■ Reference Information:

Material: Pin: Brass/Tin-plated
 Solder Tabs: Brass/Tin-plated
 Wafer: PA9T,UL94V-0
 Mates with A2507 series Housing



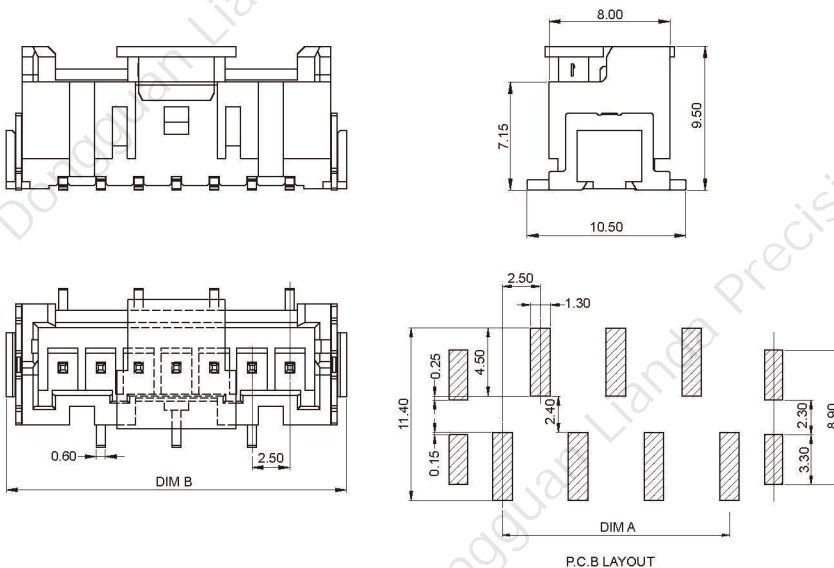
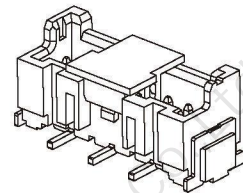
Ordering Information & Dimensions:

Circuit	Dimensions(mm)	
	A	B
02	2.50	10.00
03	5.00	12.50
04	7.50	15.00
05	10.00	17.50
06	12.50	20.00
07	15.00	22.50
08	17.50	25.00
09	20.00	27.50
10	22.50	30.00
11	25.00	32.50
12	27.50	35.00
13	30.00	37.50
14	32.50	40.00
15	35.00	42.50

A2507AWV (2.50mm pitch 180°Wafer SMT TYPE)

■ Reference Information:

Material: Pin: Brass/Tin-plated
 Solder Tabs: Brass/Tin-plated
 Wafer: PA9T,UL94V-0
 Mates with A2507 series Housing



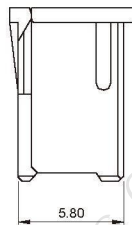
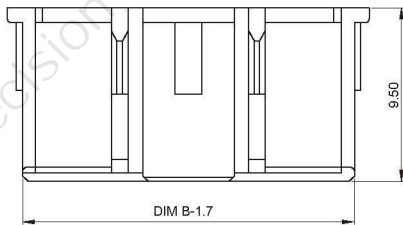
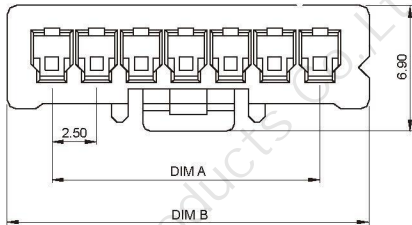
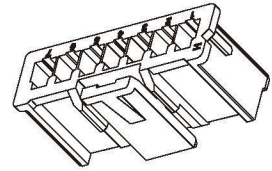
Ordering Information & Dimensions:

Circuit	Dimensions(mm)	
	A	B
02	2.50	10.00
03	5.00	12.50
04	7.50	15.00
05	10.00	17.50
06	12.50	20.00
07	15.00	22.50
08	17.50	25.00
09	20.00	27.50
10	22.50	30.00
11	25.00	32.50
12	27.50	35.00
13	30.00	37.50
14	32.50	40.00
15	35.00	42.50

A2507 SERIES 2.50mm pitch wire to board connector

A2507Y (2.50mm pitch Housing)

- Reference Information:
- Material: PA66, UL 94V-0(2)
- Suitable A2507 series terminal
- Mates with A2507 series Wafer

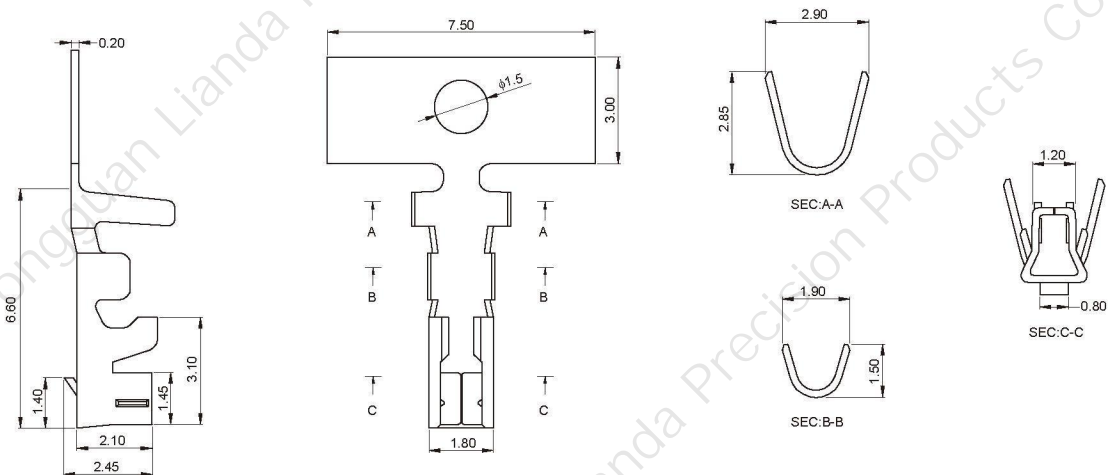


Ordering Information & Dimensions:

Circuit	Dimensions(mm)	
	A	B
02	2.50	10.00
03	5.00	12.50
04	7.50	15.00
05	10.00	17.50
06	12.50	20.00
07	15.00	22.50
08	17.50	25.00
09	20.00	27.50
10	22.50	30.00
11	25.00	32.50
12	27.50	35.00
13	30.00	37.50
14	32.50	40.00
15	35.00	42.50

A2507T (2.50mm pitch Terminal)

- Reference Information:
- Used in A2507 series Housing



Ordering Information & Dimensions:

Part No	Wire Range	Insulation O.D.	Material	Finish	Qty/Reel
A2507T	AWG #28 ~ #20	1.60mm(max)	Phosphor bronze	Tin-plated	8000PCS

WIRE TO BOARD

BOARD TO BOARD

WIRE TO WIRE

FPC SERIES

THR SERIES

LIGHTING SERIES

OTHER SERIES