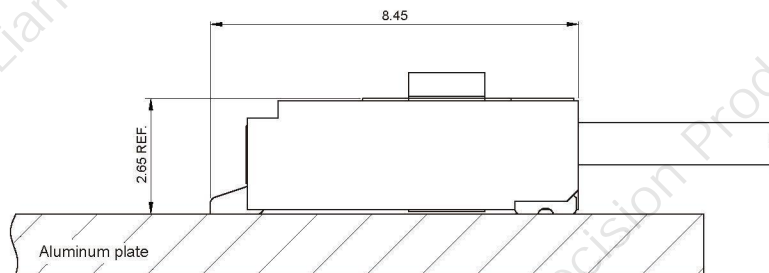
**■ Specifications**

- Contact resistance: $\leq 20\text{m}\Omega$
- Insulation resistance: $\geq 1000\text{M}\Omega$
- Rated voltage: 250V AC DC
- Rated current: 2.0A AC DC
- Withstand voltage: 1000V AC/minute
- Temperature range: $-25^{\circ}\text{C} \sim +85^{\circ}\text{C}$

■ Assembly Layout

A2503 SERIES

2.50mm pitch wire to board connector

A2503AWR (2.50mm pitch 90°Wafer SMT TYPE)

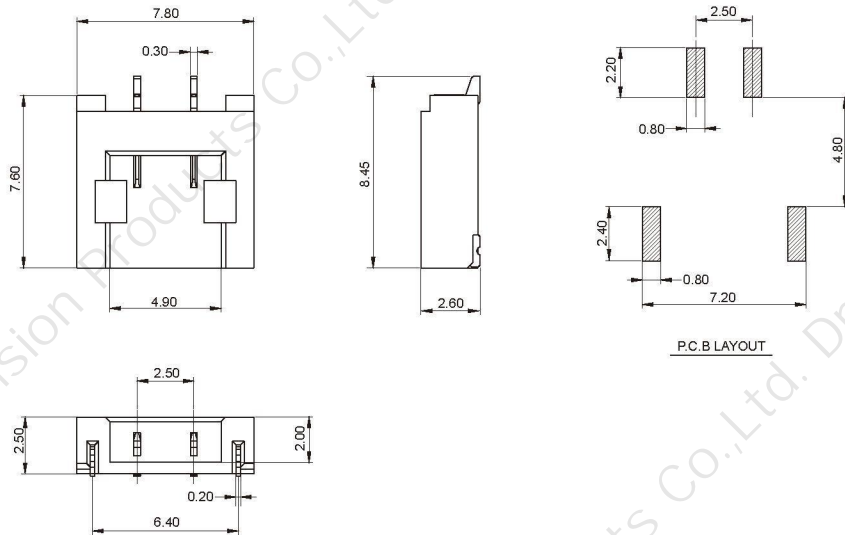
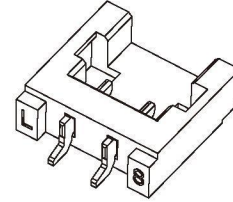
■ Reference Information:

Material: Pin: Phosphor Bronze/Tin-plated

Solder Tabs: Phosphor Bronze/Tin-plated

Wafer: LCP,UL94V-0

Mates with A2503 series Housing



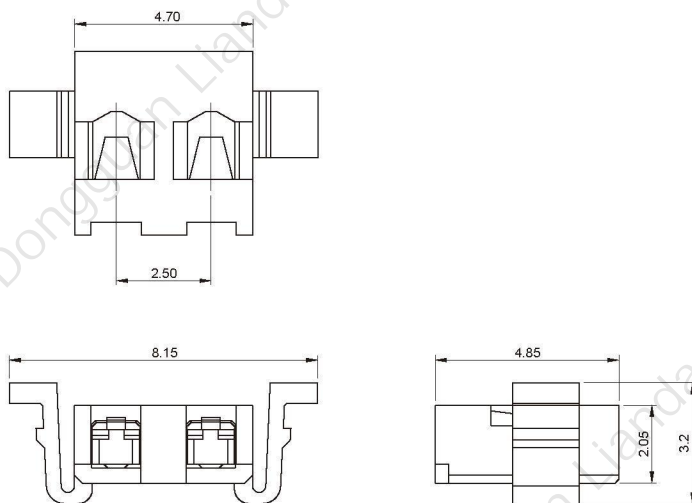
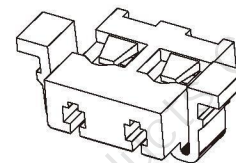
A2503Y (2.50mm pitch Housing)

■ Reference Information:

Material: PA66,UL 94V-0(2)

Suitable A2503 series terminal

Mates with A2503 series Wafer



WIRE TO BOARD

BOARD TO BOARD

WIRE TO WIRE

FPC SERIES

THR SERIES

LIGHTING SERIES

OTHER SERIES

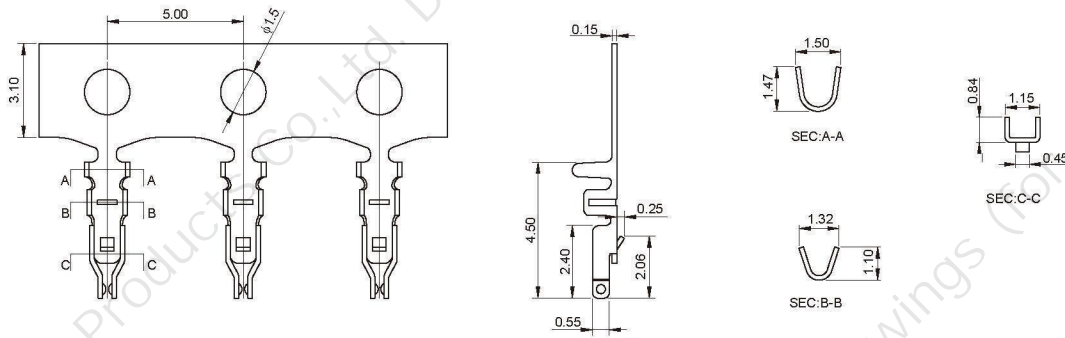
A2503 SERIES

2.50mm pitch wire to board connector

A2503T (2.50mm pitch Terminal)

■ Reference Information:

Used in A2503 series Housing



Ordering Information & Dimensions:

Part No	Wire Range	Insulation O.D.	Material	Finish	Qty/Reel
A2503T	AWG #26 ~ #30	1.00mm(max)	Phosphor bronze	Tin-plated	20000PCS