

■ **Specifications**

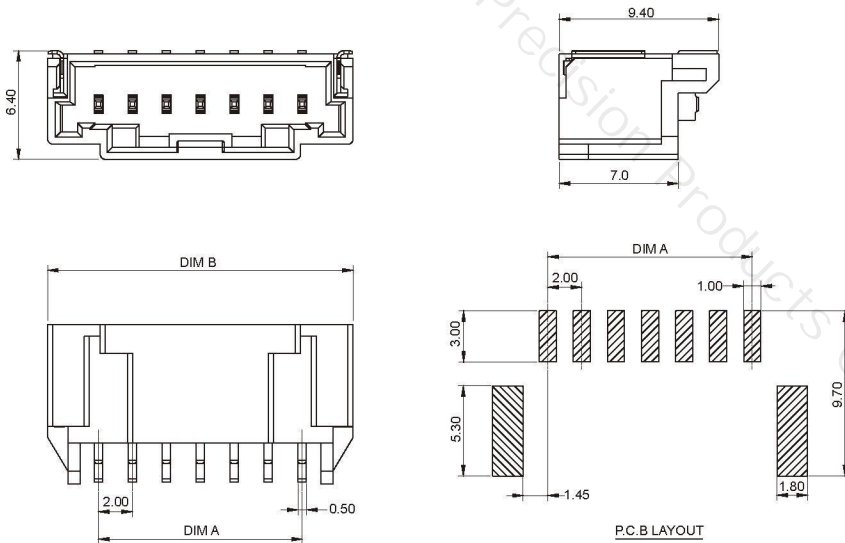
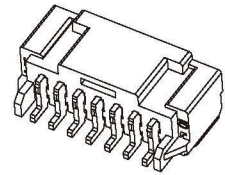
- Contact resistance: $\leq 10\text{m}\Omega$
- Insulation resistance: $\geq 1000\text{M}\Omega$
- Rated voltage: 125V AC DC
- Rated current: 3.0A AC DC
- Withstand voltage: 500V AC/minute
- Temperature range: $-40^{\circ}\text{C} \sim +105^{\circ}\text{C}$

■ **Assembly Layout**



A2009AWR (2.00mm pitch 90°Wafer SMT TYPE)

- Reference Information:
- Material: Pin: Phosphor Bronze/Tin-plated
- Solder Tabs: Phosphor Bronze/Tin-plated
- Wafer: PA9T/LCP,UL94V-0
- Mates with A2009 series Housing

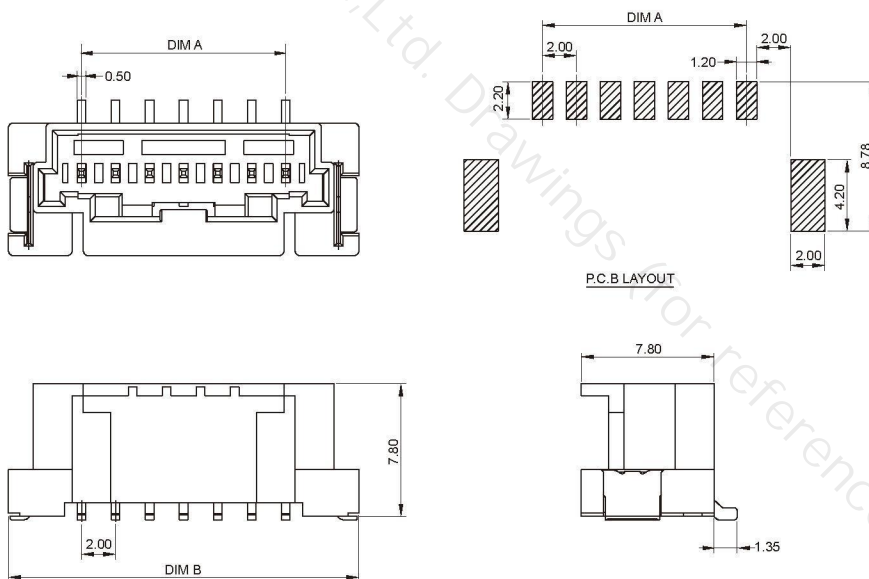
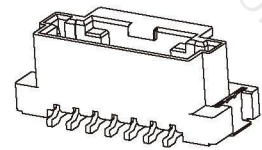


Ordering Information & Dimensions:

Circuit	Dimensions(mm)	
	A	B
02	2.00	8.00
03	4.00	10.00
04	6.00	12.00
05	8.00	14.00
06	10.00	16.00
07	12.00	18.00
08	14.00	20.00
09	16.00	22.00
10	18.00	24.00
11	20.00	26.00
12	22.00	28.00
13	24.00	30.00
14	26.00	32.00
15	28.00	34.00

A2009AWV (2.00mm pitch 180°Wafer SMT TYPE)

- Reference Information:
- Material: Pin: Phosphor Bronze/Tin-plated
- Solder Tabs: Brass/Tin-plated
- Wafer: PA9T/LCP,UL94V-0
- Mates with A2009 series Housing

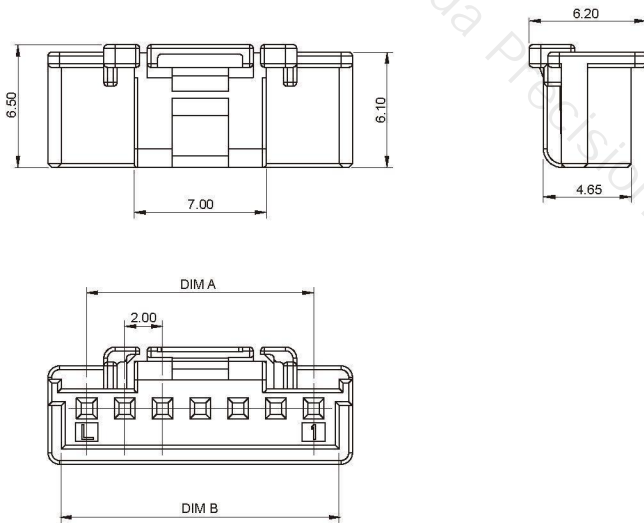
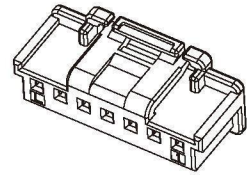


Ordering Information & Dimensions:

Circuit	Dimensions(mm)	
	A	B
02	2.00	10.90
03	4.00	12.60
04	6.00	14.60
05	8.00	16.60
06	10.00	18.60
07	12.00	20.60
08	14.00	22.60
09	16.00	24.60
10	18.00	26.60
11	20.00	28.60
12	22.00	30.60
13	24.00	32.60
14	26.00	34.60
15	28.00	36.60

A2009Y (2.00mm pitch Housing)

- Reference Information:
- Material: PBT,UL94V-0
- Mates with A2009 series Housing

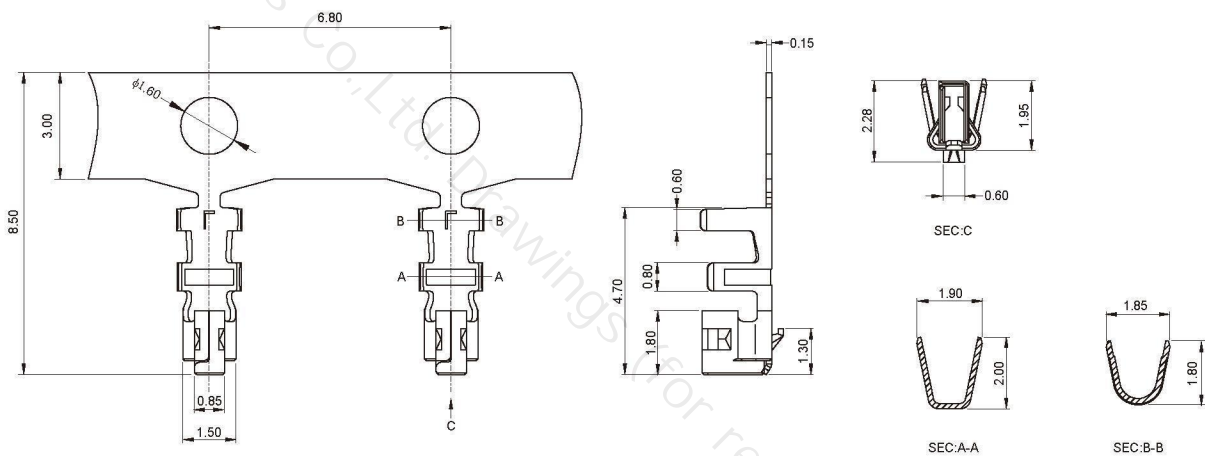


Ordering Information & Dimensions:

Circuit	Dimensions(mm)	
	A	B
02	2.00	4.70
03	4.00	6.70
04	6.00	8.70
05	8.00	10.70
06	10.00	12.70
07	12.00	14.70
08	14.00	16.70
09	16.00	18.70
10	18.00	20.70
11	20.00	22.70
12	22.00	24.70
13	24.00	26.70
14	26.00	28.70
15	28.00	30.70

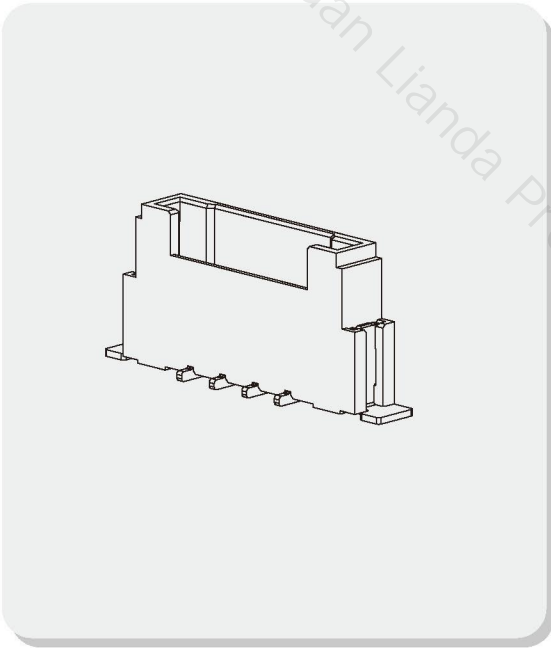
A2009T (2.00mm pitch Terminal)

- Reference Information:
- Used in A2009 series Housing



Ordering Information & Dimensions:

Part No	Wire Range	Insulation O.D.	Material	Finish	Qty/Reel
A2009T	AWG #22~#26	1.60mm(max)	Phosphor bronze	Tin-plated	10000PCS



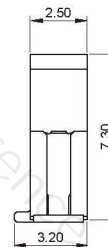
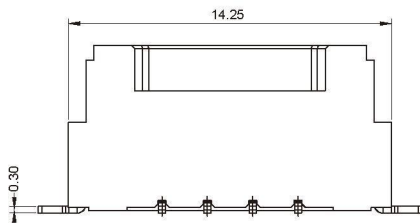
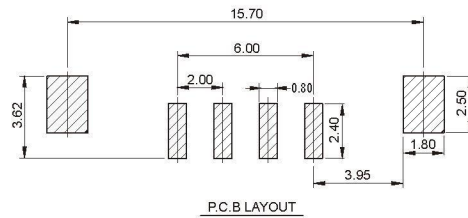
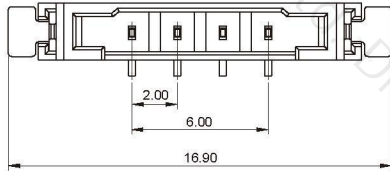
■ **Specifications**

- Contact resistance: $\leq 20m\Omega$
- Insulation resistance: $\geq 1000M\Omega$
- Rated voltage: 250V AC DC
- Rated current: 1.0A AC DC
- Withstand voltage: 1000V AC/minute
- Temperature range: $-40^{\circ}C \sim +105^{\circ}C$

A2011AWV (2.00mm pitch 180°Wafer SMT TYPE)

■ Reference Informations:

Material: Pin: Phosphor Bronze/Tin-plated
 SolderTabs: Brass/Tin-plated
 Wafer: LCP,UL94V-0
 Mates with A2011 series Housing



WIRE TO BOARD
BOARD TO BOARD
WIRE TO WIRE
FPC SERIES
THR SERIES
LIGHTING SERIES
OTHER SERIES