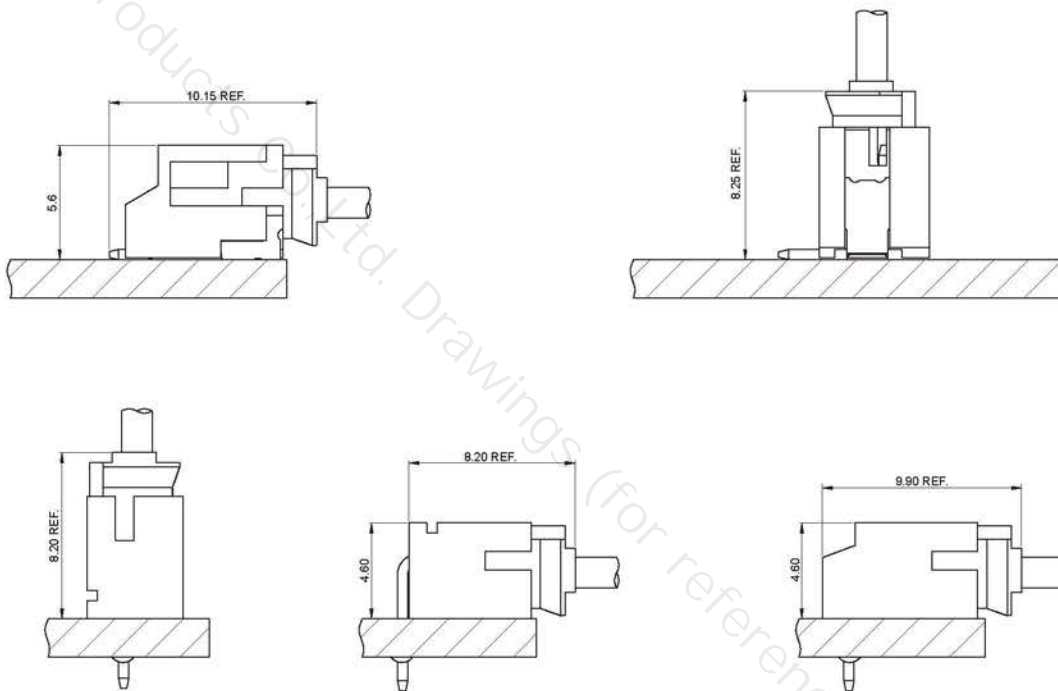


■ Specifications

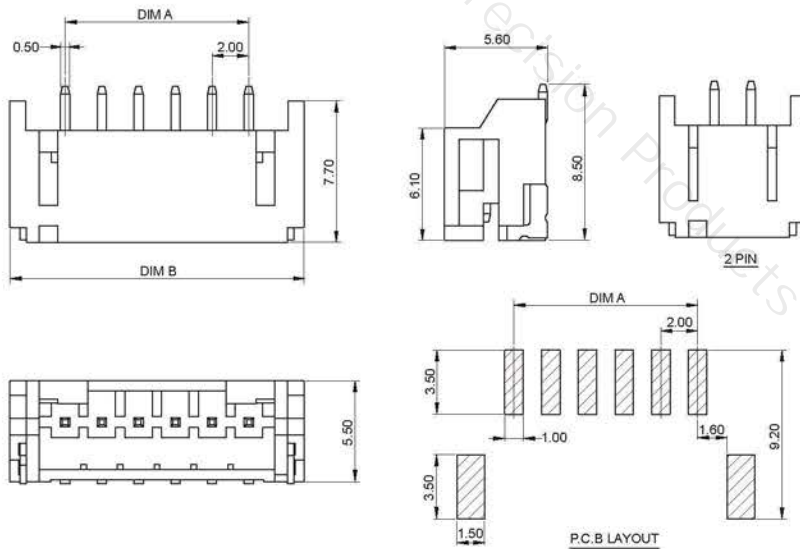
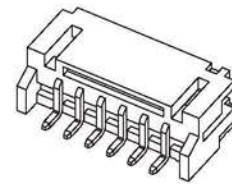
- Contact resistance: $\leq 20\text{m}\Omega$
- Insulation resistance: $\geq 1000\text{M}\Omega$
- Rated voltage: 250V AC DC
- Rated current: 2.0A AC DC
- Withstand voltage: 1000V AC/minute
- Temperature range: $-25^{\circ}\text{C} \sim +85^{\circ}\text{C}$

■ Assembly Layout



A2001AWR (2.00mm pitch 90°Wafer SMT TYPE)

- Reference Information:
- Material: Pin: Brass/Tin-plated
- Solder Tabs: Brass/Tin-plated
- Wafer: LCP,UL94V-0
- Mates with A2001 series Housing

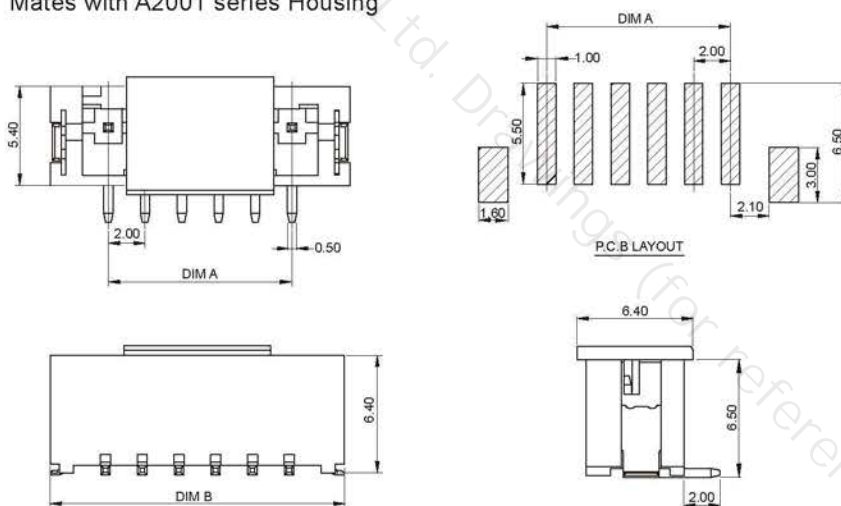
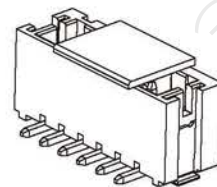


Ordering Information & Dimensions:

Circuit	Dimensions(mm)	
	A	B
02	2.00	8.00
03	4.00	10.00
04	6.00	12.00
05	8.00	14.00
06	10.00	16.00
07	12.00	18.00
08	14.00	20.00
09	16.00	22.00
10	18.00	24.00
11	20.00	26.00
12	22.00	28.00
13	24.00	30.00
14	26.00	32.00
15	28.00	34.00
16	30.00	36.00

A2001AWV (2.00mm pitch 180°Wafer SMT TYPE)

- Reference Information:
- Material: Pin: Brass/Tin-plated
- Solder Tabs: Phosphor Bronze/Tin-plated
- Wafer: LCP,UL94V-0
- Mates with A2001 series Housing

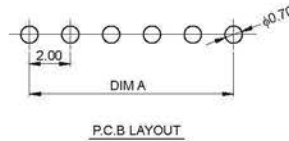
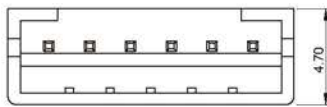
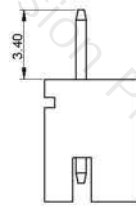
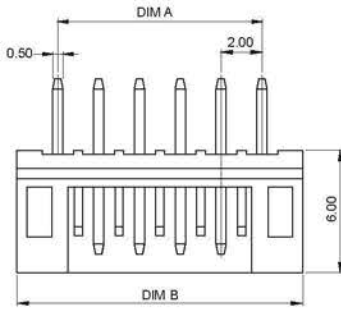
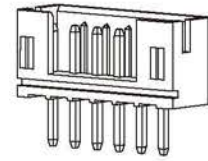


Ordering Information & Dimensions:

Circuit	Dimensions(mm)	
	A	B
02	2.00	8.00
03	4.00	10.00
04	6.00	12.00
05	8.00	14.00
06	10.00	16.00
07	12.00	18.00
08	14.00	20.00
09	16.00	22.00
10	18.00	24.00
11	20.00	26.00
12	22.00	28.00
13	24.00	30.00
14	26.00	32.00
15	28.00	34.00
16	30.00	36.00

A2001A (2.00mm pitch 180°Wafer DIP TYPE)

- Reference Information:
- Material: Pin: Brass/Tin-plated
- Wafer: PA66,UL94V-0(2)
- Mates with A2001 series Housing

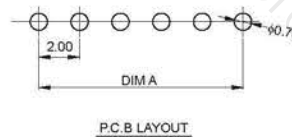
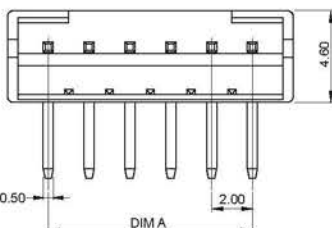
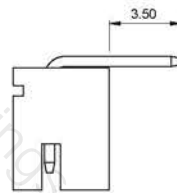
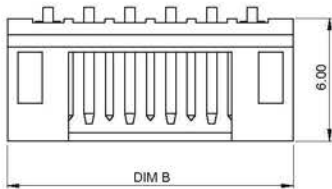
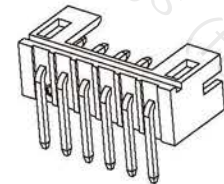


Ordering Information & Dimensions:

Circuit	Dimensions(mm)	
	A	B
02	2.00	6.00
03	4.00	8.00
04	6.00	10.00
05	8.00	12.00
06	10.00	14.00
07	12.00	16.00
08	14.00	18.00
09	16.00	20.00
10	18.00	22.00
11	20.00	24.00
12	22.00	26.00
13	24.00	28.00
14	26.00	30.00
15	28.00	32.00
16	30.00	34.00

A2001AW (2.00mm pitch 90°Wafer DIP TYPE)

- Reference Information:
- Material: Pin:Brass/Tin-plated
- Wafer: PA66,UL94V-0(2)
- Mates with A2001 series Housing



Ordering Information & Dimensions:

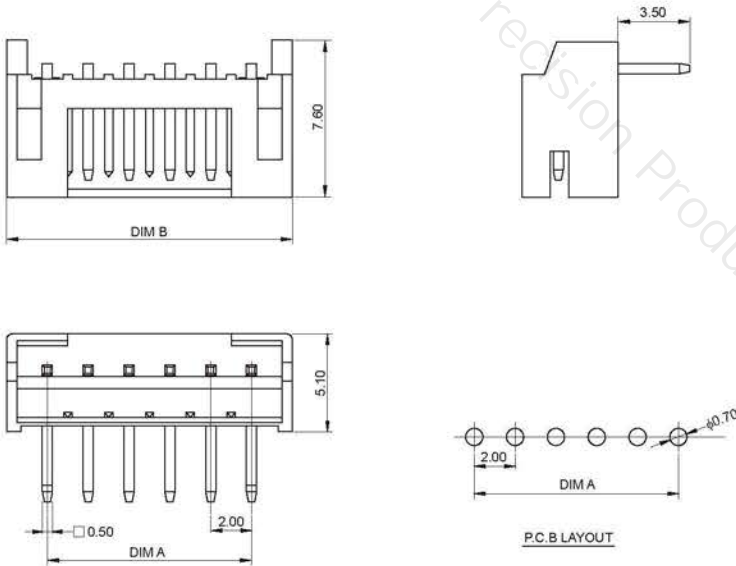
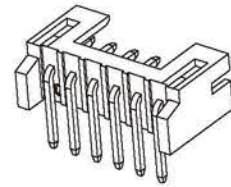
Circuit	Dimensions(mm)	
	A	B
02	2.00	6.00
03	4.00	8.00
04	6.00	10.00
05	8.00	12.00
06	10.00	14.00
07	12.00	16.00
08	14.00	18.00
09	16.00	20.00
10	18.00	22.00
11	20.00	24.00
12	22.00	26.00
13	24.00	28.00
14	26.00	30.00
15	28.00	32.00
16	30.00	34.00

A2001 SERIES

2.00mm pitch wire to board connector

A2001AWD (2.00mm pitch 90°Wafer DIP TYPE)

- Reference Information:
- Material: Pin:Brass/Tin-plated
- Wafer: PA66,UL94V-0(2)
- Mates with A2001 series Housing

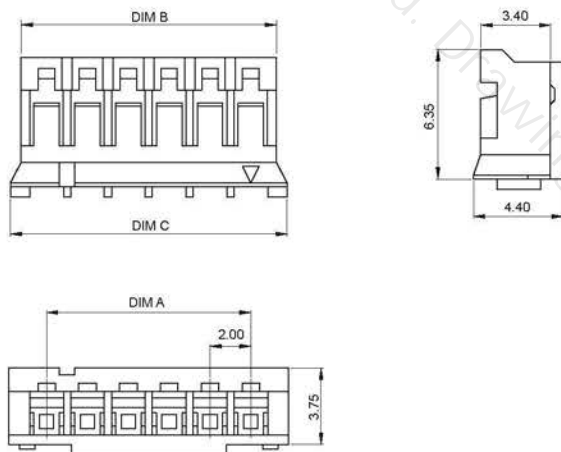
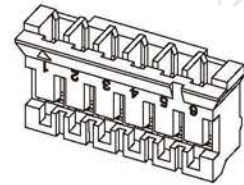


Ordering Information & Dimensions:

Circuit	Dimensions(mm)	
	A	B
02	2.00	6.00
03	4.00	8.00
04	6.00	10.00
05	8.00	12.00
06	10.00	14.00
07	12.00	16.00
08	14.00	18.00
09	16.00	20.00
10	18.00	22.00
11	20.00	24.00
12	22.00	26.00
13	24.00	28.00
14	26.00	30.00
15	28.00	32.00
16	30.00	34.00

A2001Y (2.00mm pitch Housing)

- Reference Information:
- Material: PA66,UL94V-0(2)
- Suitable A2001 series terminal
- Mates with A2001 series Wafer



Ordering Information & Dimensions:

Circuit	Dimensions(mm)		
	A	B	C
02	2.00	4.50	5.70
03	4.00	6.50	7.70
04	6.00	8.50	9.70
05	8.00	10.50	11.70
06	10.00	12.50	13.70
07	12.00	14.50	15.70
08	14.00	16.50	17.70
09	16.00	18.50	19.70
10	18.00	20.50	21.70
11	20.00	22.50	23.70
12	22.00	24.50	25.70
13	24.00	26.50	27.70
14	26.00	28.50	29.70
15	28.00	30.50	31.70
16	30.00	32.50	33.70

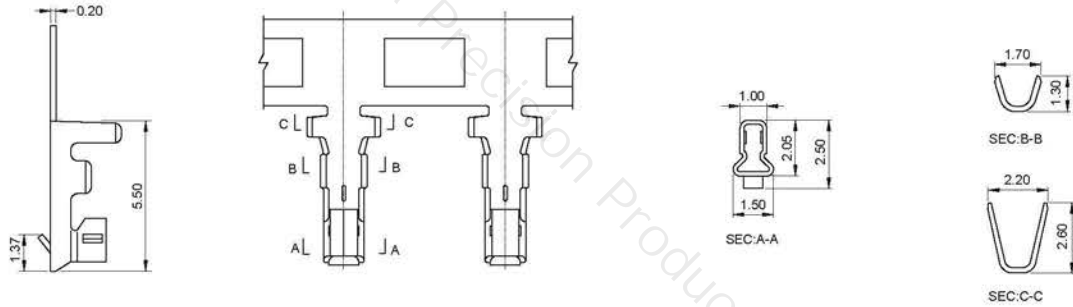
A2001 SERIES

2.00mm pitch wire to board connector

A2001T (2.00mm pitch Terminal)

■ Reference Information:

Used in A2001 series Housing



Ordering Information & Dimensions:

Part No	Wire Range	Insulation O.D.	Material	Finish	Qty/Reel
A2001T	AWG #24~#32	1.60mm(max)	Phosphor bronze	Tin-plated	12000PCS

WIRE TO BOARD

BOARD TO BOARD

WIRE TO WIRE

FPC SERIES

THR SERIES

LIGHTING SERIES

OTHER SERIES