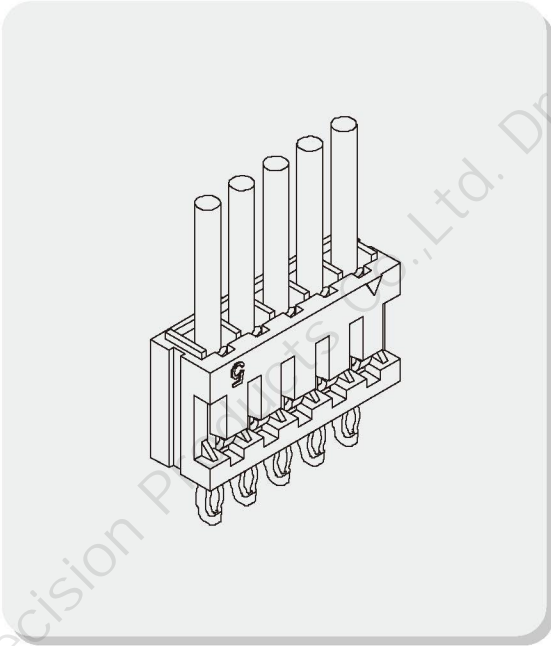


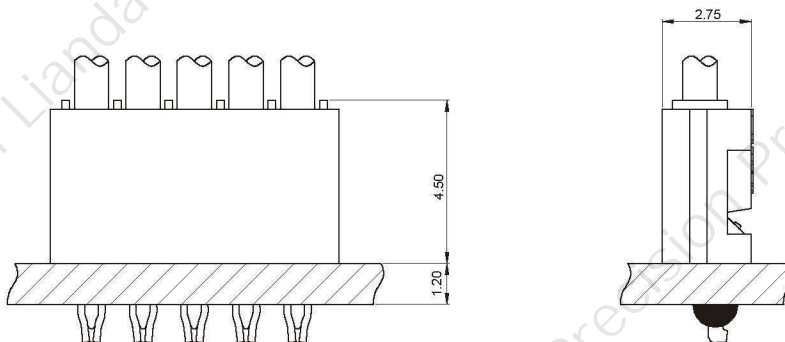
## B1501 SERIE 1.50mm pitch board to board connector



### ■ Specifications

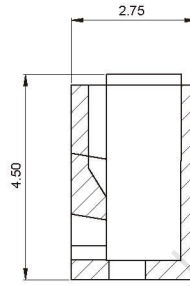
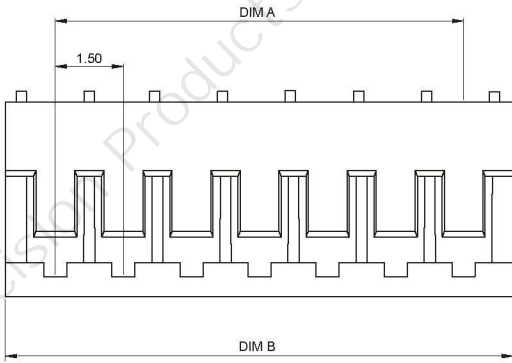
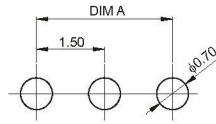
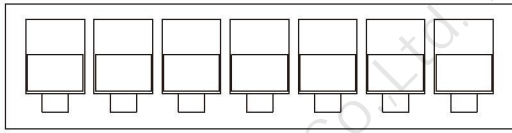
- Contact resistance:  $\leq 20\text{m}\Omega$
- Insulation resistance:  $\geq 500\text{M}\Omega$
- Rated voltage: 50V AC DC
- Rated current: 0.7A AC DC
- Withstand voltage: 500V AC/minute
- Temperature range:  $-25^{\circ}\text{C} \sim +85^{\circ}\text{C}$

### ■ Assembly Layout



**B1501Y** (1.50mm pitch Housing)

- Reference Information:  
Material: PA66,UL94V-0(2)

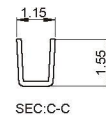
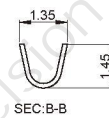
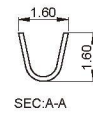
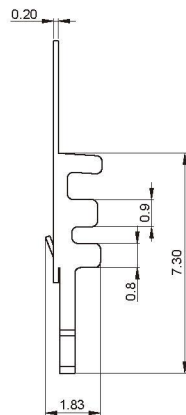
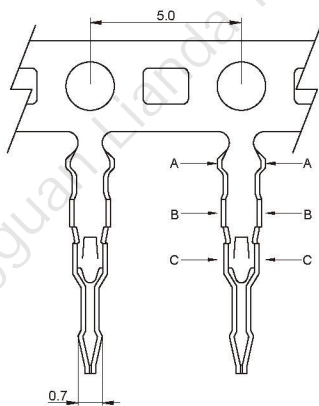


**Ordering Information & Dimensions:**

Circuit	Dimensions(mm)	
	A	B
02	1.50	3.70
03	3.00	5.20
04	4.50	6.70
05	6.00	8.20
06	7.50	9.70
07	9.00	11.20
08	10.50	12.70
09	12.00	14.20
10	13.50	15.70
11	15.00	17.20
12	16.50	18.70
13	18.00	20.20
14	19.50	21.70
15	21.00	23.20
...	...	...
20	28.50	30.70

**B1501T** (1.50mm pitch Terminal)

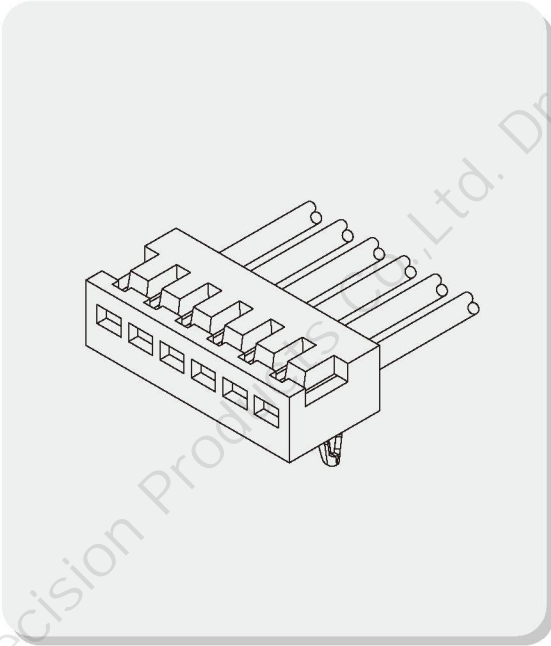
- Reference Information:  
Used in B1501Y series Housing



**Ordering Information & Dimensions:**

Part No	Wire Range	Insulation O.D.	Material	Finish	Qty/Reel
B1501T	AWG #26 ~ #30	1.10mm(max)	Phosphor bronze	Tin-plated	15000PCS

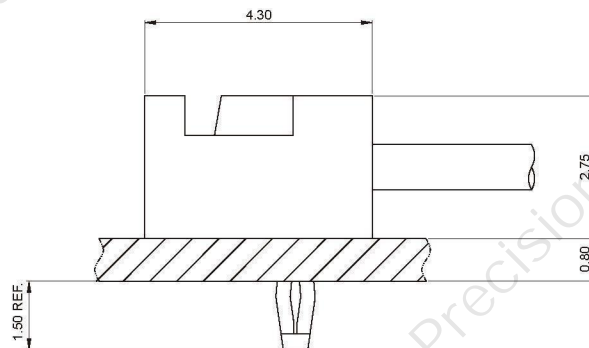
## B1502 SERIE 1.50mm pitch board to board connector



### ■ Specifications

- Contact resistance:  $\leq 20\text{m}\Omega$
- Insulation resistance:  $\geq 500\text{M}\Omega$
- Rated voltage: 50V AC DC
- Rated current: 0.7A AC DC
- Withstand voltage: 500V AC/minute
- Temperature range:  $-25^{\circ}\text{C} \sim +85^{\circ}\text{C}$

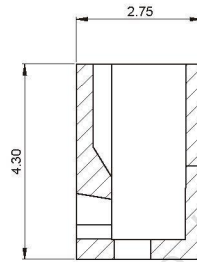
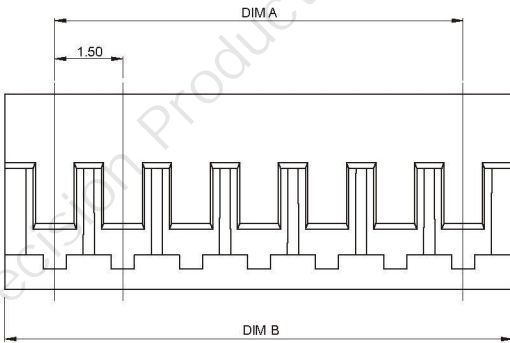
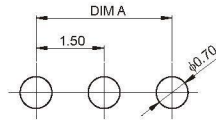
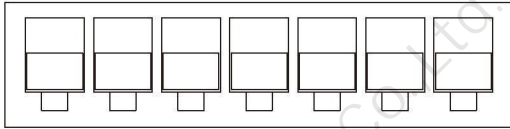
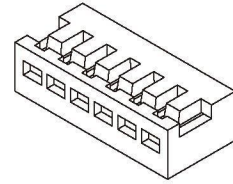
### ■ Assembly Layout



# B1502 SERIE 1.50mm pitch board to board connector

## B1502Y (1.50mm pitch Housing)

- Reference Information:  
Material: PA66,UL94V-0(2)

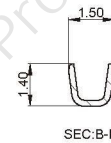
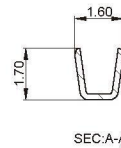
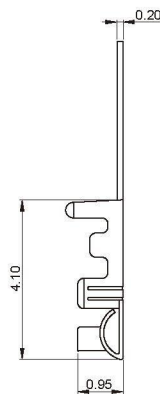
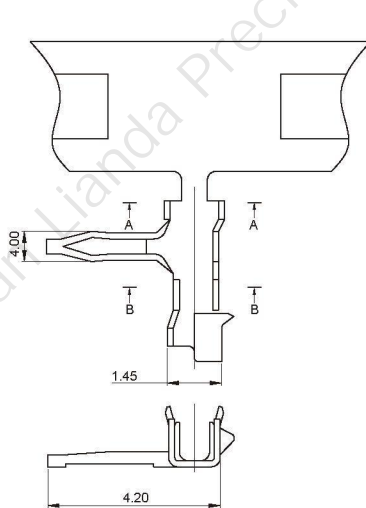


### Ordering Information & Dimensions:

Circuit	Dimensions(mm)	
	A	B
02	1.50	3.70
03	3.00	5.20
04	4.50	6.70
05	6.00	8.20
06	7.50	9.70
07	9.00	11.20
08	10.50	12.70
09	12.00	14.20
10	13.50	15.70
11	15.00	17.20
12	16.50	18.70
13	18.00	20.20
14	19.50	21.70
15	21.00	23.20
...	...	...
20	28.50	30.70

## B1502T (1.50mm pitch Terminal)

- Reference Information:  
Used in B1502Y series Housing



### Ordering Information & Dimensions:

Part No	Wire Range	Insulation O.D.	Material	Finish	Qty/Reel
B1502T	AWG #26 ~ #30	1.10mm(max)	Phosphor bronze	Tin-plated	15000PCS

WIRE TO BOARD

BOARD TO BOARD

WIRE TO WIRE

FPC SERIES

THR SERIES

LIGHTING SERIES

OTHER SERIES