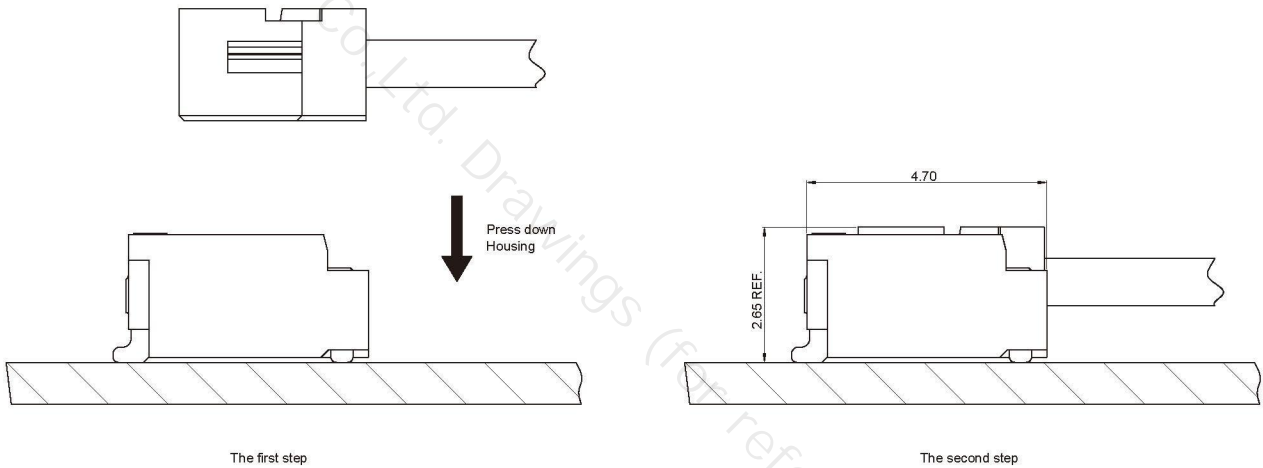


Specifications

- Contact resistance: $\leq 20\text{m}\Omega$
- Insulation resistance: $\geq 500\text{M}\Omega$
- Rated voltage: 150V AC DC
- Rated current: 3.0A AC DC
- Withstand voltage: 500V AC/minute
- Temperature range: $-25^{\circ}\text{C} \sim +120^{\circ}\text{C}$

Assembly Layout



WIRE TO BOARD

BOARD TO BOARD

WIRE TO WIRE

FPC SERIES

THR SERIES

LIGHTING SERIES

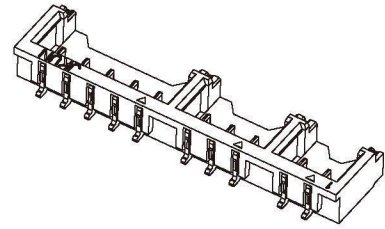
OTHER SERIES

A1508 SERIES

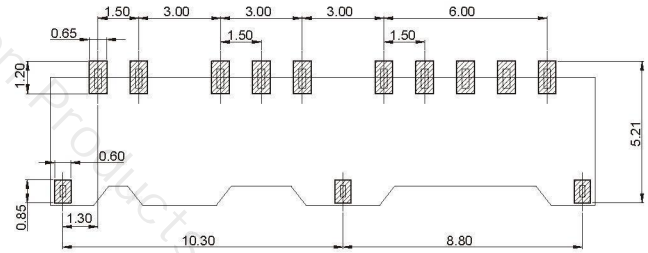
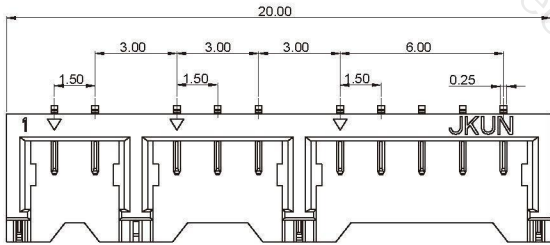
1.50mm pitch wire to board connector

A1508AWR (1.50mm pitch 90°Wafer SMT TYPE)

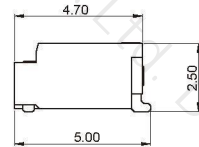
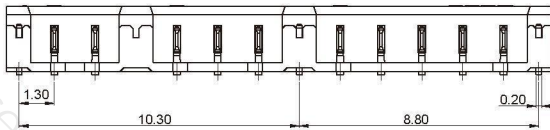
- Reference Information:
- Material: Pin: Brass/Tin-plated
- Solder Tabs: Brass/Tin-plated
- Wafer: PA9T,UL94V-0
- Mates with A1508 series Housing



Patent No. : ZL.202150283772.1

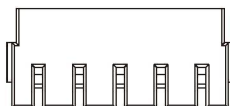
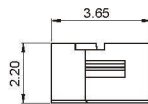
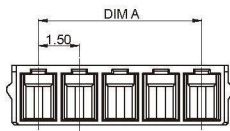
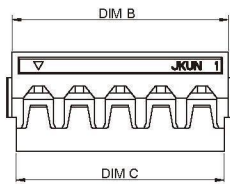
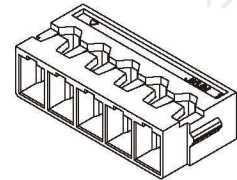


PC.B LAYOUT



A1508Y (1.50mm pitch Housing)

- Reference Information:
- Material: PA66,UL94V-0
- Mates with A1508 series Wafer



Ordering Information & Dimensions:

Circuit	Dimensions(mm)		
	A	B	C
02	1.50	3.45	3.15
03	3.00	4.95	4.65
05	6.00	7.95	7.65

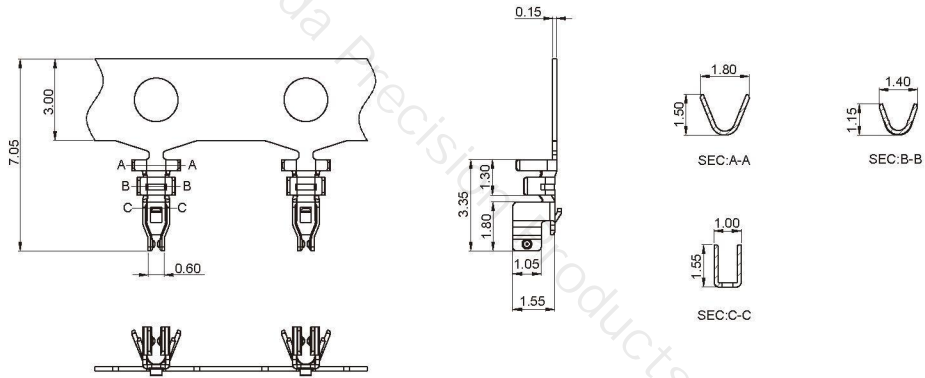
A1508 SERIES

1.50mm pitch wire to board connector

A1508T (1.50mm pitch Terminal)

■ Reference Information:

Used in A1508 series Housing



Ordering Information & Dimensions:

Part No	Wire Range	Insulation O.D.	Material	Finish	Qty/Reel
A1508T	AWG #26~#28	1.30mm(max)	Phosphor bronze	Tin-plated	/

WIRE TO BOARD

BOARD TO BOARD

WIRE TO WIRE

FPC SERIES

THR SERIES

LIGHTING SERIES

OTHER SERIES