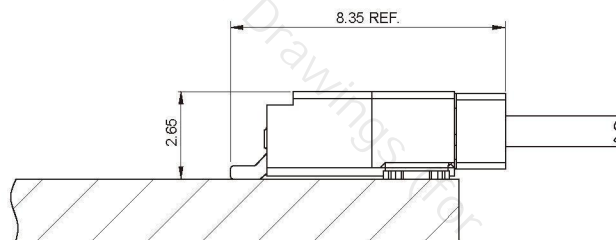
**■ Specifications**

- Contact resistance: $\leq 30\text{m}\Omega$
- Insulation resistance: $\geq 500\text{M}\Omega$
- Rated voltage: 150V AC DC
- Rated current: 1.0A AC DC
- Withstand voltage: 500V AC/minute
- Temperature range: $-25^{\circ}\text{C} \sim +85^{\circ}\text{C}$

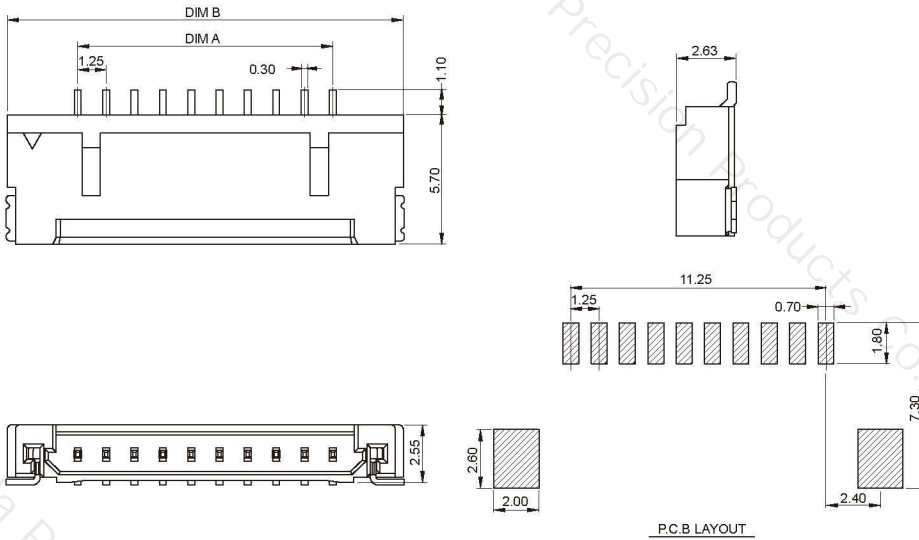
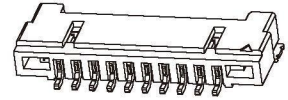
■ Assembly Layout

A1259 SERIES

1.25mm pitch wire to board connector

A1259AWR (1.25mm pitch 90°Wafer SMT TYPE)

- Reference Information:
 - Material: Pin: Brass/Tin-plated
 - Solder Tabs: Brass/Tin-plated
 - Wafer: PA9T,UL94V-0
 - Mates with A1259 series Housing

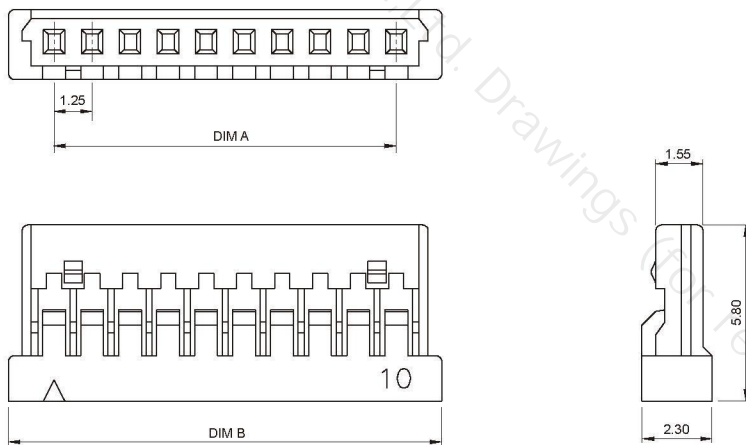
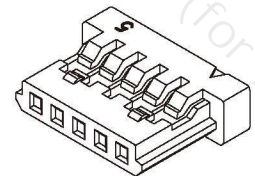


Ordering Information & Dimensions:

Circuit	Dimensions(mm)	
	A	B
02	1.25	7.45
03	2.50	8.70
04	3.75	9.95
05	5.00	11.20
06	6.25	12.45
07	7.50	13.70
08	8.75	14.95
09	10.00	16.20
10	11.25	17.45
11	12.50	18.70
12	13.75	19.95
13	15.00	21.20
14	16.25	22.45
15	17.50	23.70
20	23.75	29.95
21	25.00	31.20
25	30.00	36.20
30	36.25	42.45

A1259Y (1.25mm pitch Housing)

- Reference Information:
 - Material: PA66,UL94V-0(2)
 - Mates with A1259 series Wafer



Ordering Information & Dimensions:

Circuit	Dimensions(mm)	
	A	B
02	1.25	4.25
03	2.50	5.50
04	3.75	6.75
05	5.00	8.00
06	6.25	9.25
07	7.50	10.50
08	8.75	11.75
09	10.00	13.00
10	11.25	14.25
11	12.50	15.50
12	13.75	16.75
13	15.00	18.00
14	16.25	19.25
15	17.50	20.50
20	23.75	26.75
21	25.00	28.00
25	30.00	33.00
30	36.25	39.25

WIRE TO BOARD

BOARD TO BOARD

WIRE TO WIRE

FPC SERIES

THR SERIES

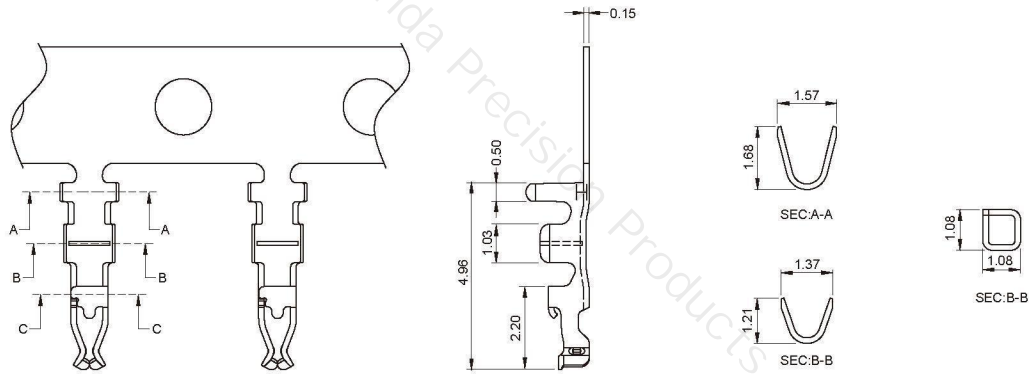
LIGHTING SERIES

OTHER SERIES

A1259T (1.25mm pitch Terminal)

■ Reference Information:

Used in A1259 series Housing



Ordering Information & Dimensions:

Part No	Wire Range	Insulation O.D.	Material	Finish	Qty/Reel
A1259T	AWG #26 ~ #32	1.00mm(max)	Phosphor bronze	Tin-plated	10000PCS
A1259T-PC	AWG #26 ~ #32	1.00mm(max)	Phosphor bronze	Gold-flash	10000PCS