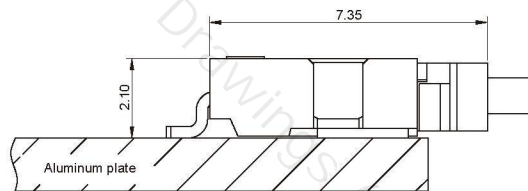


■ Specifications

- Contact resistance: $\leq 20\text{m}\Omega$
- Insulation resistance: $\geq 100\text{M}\Omega$
- Rated voltage: 125V AC DC
- Rated current: 1.0A AC DC
- Withstand voltage: 500V AC/minute
- Temperature range: $-25^{\circ}\text{C} \sim +85^{\circ}\text{C}$

■ Assembly Layout



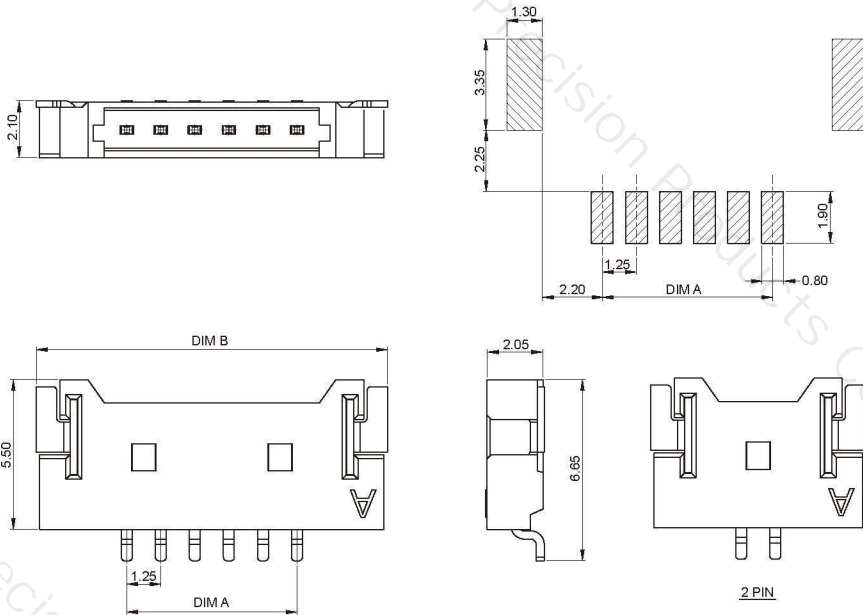
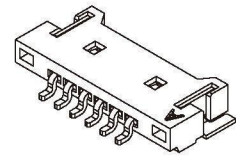
A1254 SERIES

1.25mm pitch wire to board connector

A1254AWR (1.25mm pitch 90°Wafer SMT TYPE)

■ Reference Information:

Material: Pin: Phosphor Bronze/Tin-plated or Gold-flash
 Solder Tabs: Phosphor Bronze/Tin-plated or Gold-flash
 Wafer: LCP/PA9T,UL94V-0
 Mates with A1254 series Housing



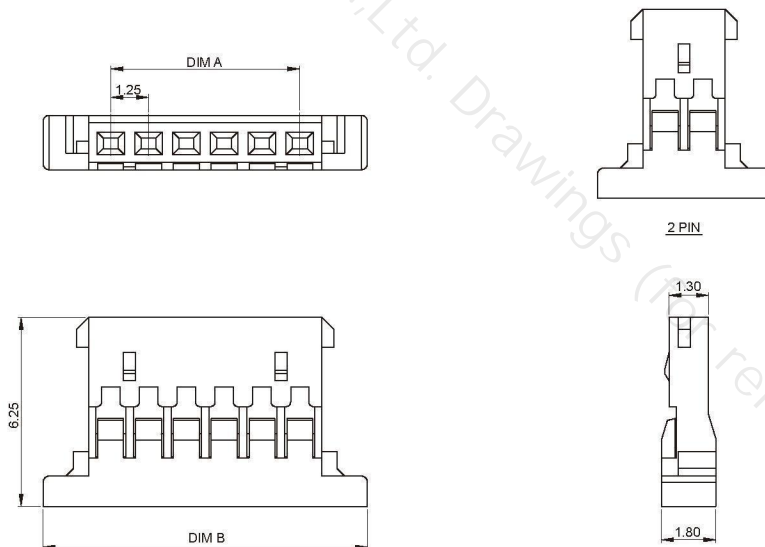
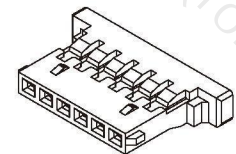
Ordering Information & Dimensions:

Circuit	Dimensions(mm)	
	A	B
02	1.25	7.90
03	2.50	9.15
04	3.75	10.40
05	5.00	11.65
06	6.25	12.90
07	7.50	14.15
08	8.75	15.40
09	10.00	16.65
10	11.25	17.90
11	12.50	19.15
12	13.75	20.40
13	15.00	21.65
14	16.25	22.90
15	17.50	24.15

A1254Y (1.25mm pitch Housing)

■ Reference Information:

Material: PA66,UL94V-0
 Mates with A1254 series Housing



Ordering Information & Dimensions:

Circuit	Dimensions(mm)	
	A	B
02	1.25	5.72
03	2.50	6.97
04	3.75	8.22
05	5.00	9.47
06	6.25	10.72
07	7.50	11.97
08	8.75	13.22
09	10.00	14.47
10	11.25	15.72
11	12.50	16.97
12	13.75	18.22
13	15.00	19.47
14	16.25	20.72
15	17.50	21.97

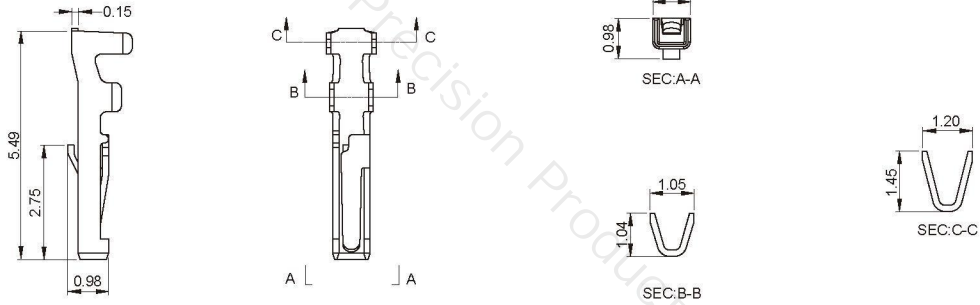
A1254 SERIES

1.25mm pitch wire to board connector

A1254T (1.25mm pitch Terminal)

■ Reference Information:

Used in A1259 series Housing



Ordering Information & Dimensions:

Part No	Wire Range	Insulation O.D.	Material	Finish	Qty/Reel
A1254T	AWG #28 ~ #32	0.90mm(max)	Phosphor bronze	Tin-plated	10000PCS
A1254T-PC	AWG #28 ~ #32	0.90mm(max)	Phosphor bronze	Gold-flash	10000PCS

WIRE TO BOARD

BOARD TO BOARD

WIRE TO WIRE

FPC SERIES

THR SERIES

LIGHTING SERIES

OTHER SERIES