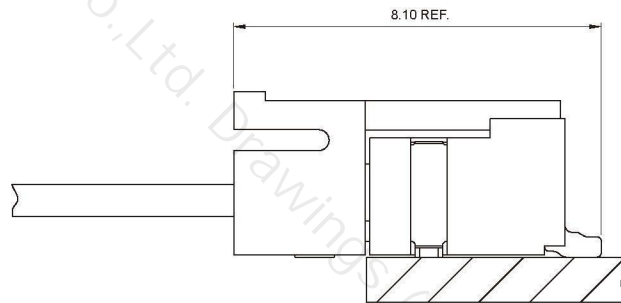


■ Specifications

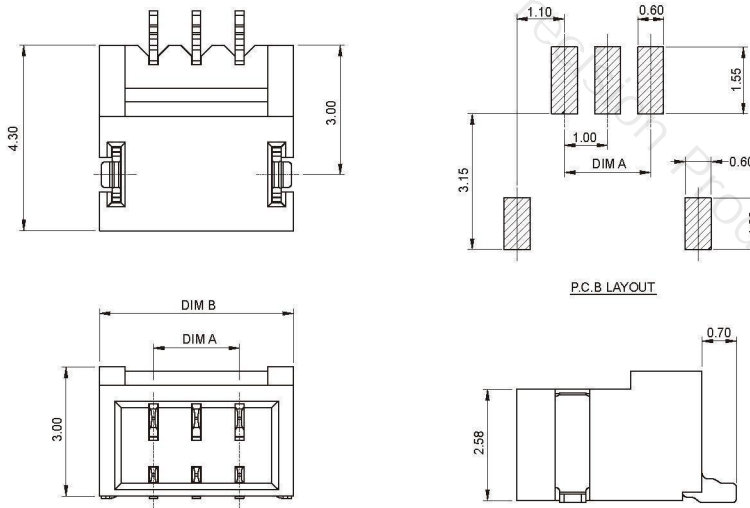
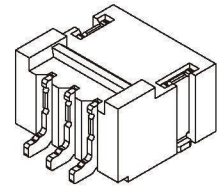
- Contact resistance: $\leq 20\text{m}\Omega$
- Insulation resistance: $\geq 100\text{M}\Omega$
- Rated voltage: 125V AC DC
- Rated current: 1.0A AC DC
- Withstand voltage: 500V AC/minute
- Temperature range: $-25^{\circ}\text{C} \sim +85^{\circ}\text{C}$

■ Assembly Layout



A1004AWR (1.00mm pitch 90°Wafer SMT TYPE)

- Reference Information:
- Material: Pin: Phosphor Bronze/Tin-plated
- Solder Tabs: Brass/Tin-plated
- Wafer: PA6T,UL94V-0
- Mates with A1004 series Housing

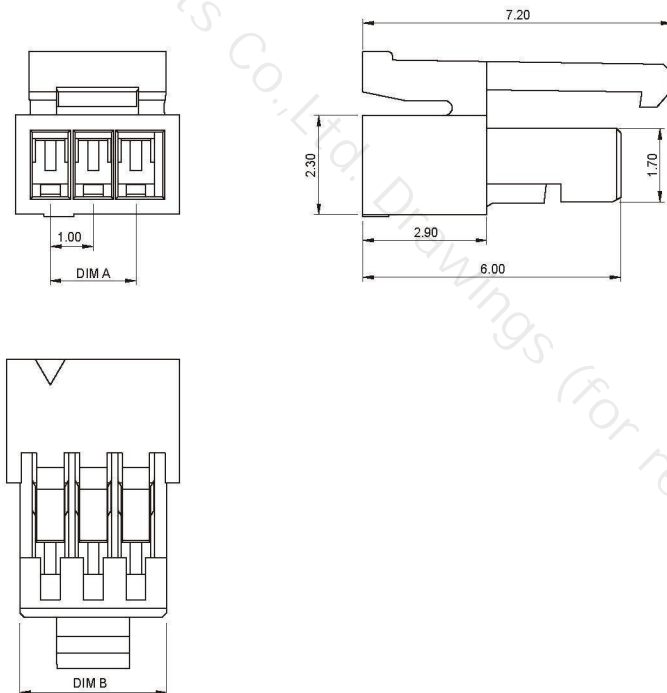
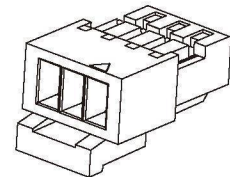


Ordering Information & Dimensions:

Circuit	Dimensions(mm)	
	A	B
02	1.00	3.50
03	2.00	4.50
04	3.00	5.50
05	4.00	6.50
06	5.00	7.50
07	6.00	8.50
08	7.00	9.50
09	8.00	10.50
10	9.00	11.50
11	10.00	12.50
12	11.00	13.50
13	12.00	14.50
14	13.00	15.50
15	14.00	16.50
...
20	19.00	21.50

A1004Y (1.00mm pitch Housing)

- Reference Information:
- Material: PA66,UL94V-0(2)
- Suitable A1003 series Terminal
- Mates with A1004 series Wafer



Ordering Information & Dimensions:

Circuit	Dimensions(mm)	
	A	B
02	1.00	2.40
03	2.00	3.40
04	3.00	4.40
05	4.00	5.40
06	5.00	6.40
07	6.00	7.40
08	7.00	8.40
09	8.00	9.40
10	9.00	10.40
11	10.00	11.40
12	11.00	12.40
13	12.00	13.40
14	13.00	14.40
15	14.00	15.40
...
20	19.00	20.40