

NOTES:

MATERIAL:

1. HOUSING: THERMO-PLASTIC. UL 94V-0 NATURE
2. CONTACT: PHOSPHOR BRONZE
CONTACT: SEE ORDER INFORMATION;
SOLDER: 10μ" GOLD IN CONTACT AREA, MATTE TIN ON TAIL
3. LOCKING CLIP:
MATTE TIN CONTACT AND TAIL

ELECTRICAL:

1. CURRENT RATING: 30A
2. WITHSTANDING VOLTAGE: 250V AC for 1 min
3. CONTACT RESISTANCE: 30mΩ MAX
4. INSULATION RESISTANCE: 1000MΩ MIN

ENVIRONMENTAL:

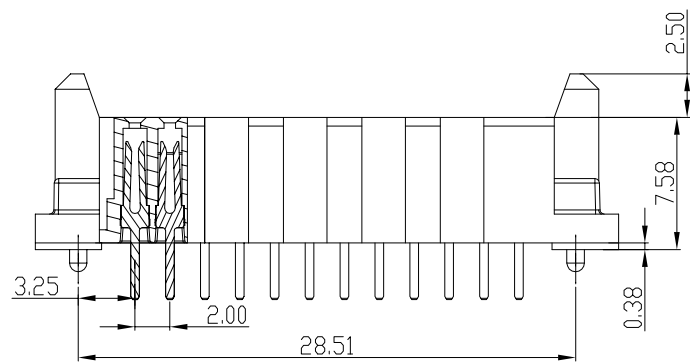
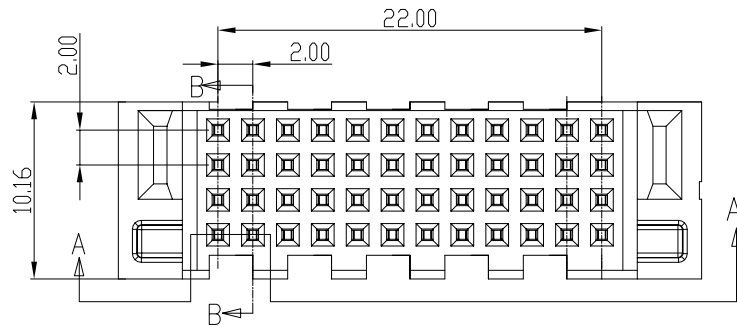
1. OPERATING TEMPERATURE: -55°C TO +125°C.

LMPTC051公座 48P

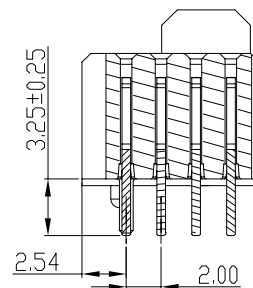


A0	NEW EDITION	East_Zhou	2022.03.03
修订 SER	修改摘要 REVISION DESCRIPTION	签名 SIGNATURE	日期 DATE

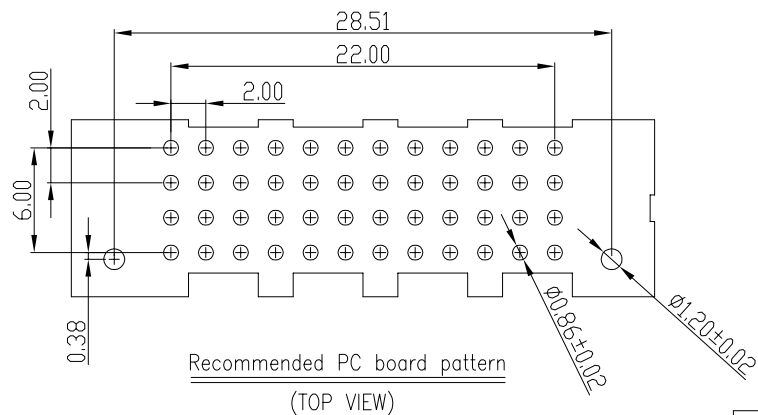
一般公差 GENERAL TOLERANCE	
.XX	±0.30
.XX	±0.13
.XX	±0.05
ANGLES	±2°
版本 A (REV)	



SECTION A-A



SECTION B-B



Recommended PC board pattern
(TOP VIEW)

NOTES:

MATERIAL:

1. HOUSING: THERMO-PLASTIC. UL 94V-0 NATURE
2. CONTACT: PHOSPHOR BRONZE
CONTACT: SEE ORDER INFORMATION;
SOLDER: 10 μ " GOLD IN CONTACT AREA, MATTE TIN ON TAIL
3. LOCKING CLIP:
MATTE TIN CONTACT AND TAIL

ELECTRICAL:

1. CURRENT RATING: 30A
2. WITHSTANDING VOLTAGE: 250V AC for 1 min
3. CONTACT RESISTANCE: 30m Ω MAX
4. INSULATION RESISTANCE: 1000M Ω MIN

ENVIRONMENTAL:

1. OPERATING TEMPERATURE: -55°C TO +125°C.



修订 SER	修改摘要 REVISION DESCRIPTION	签名 SIGNATURE	日期 DATE

一般公差 GENERAL TOLERANCE	
.X	±0.30
.XX	±0.13
.XXX	±0.05
ANGLES	±2°

版本 A
(REV)

LMPSC051母座48P