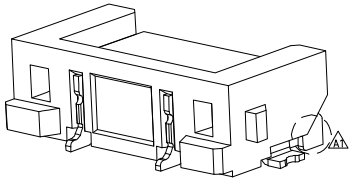
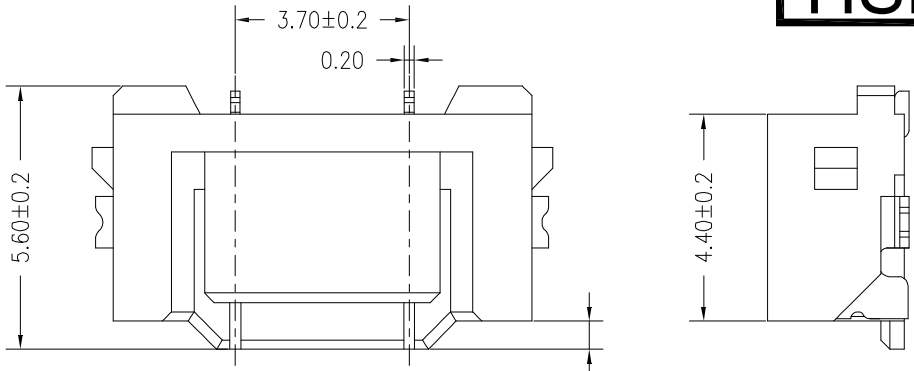
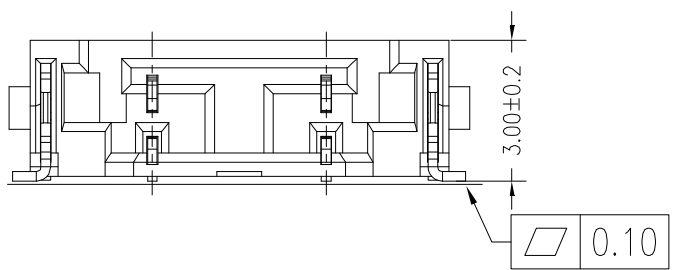


REV	ECN NO	DESCRIPTION	DATE	NAME
A	—	NEW	11/21-'19	XXL



Main Specifications:

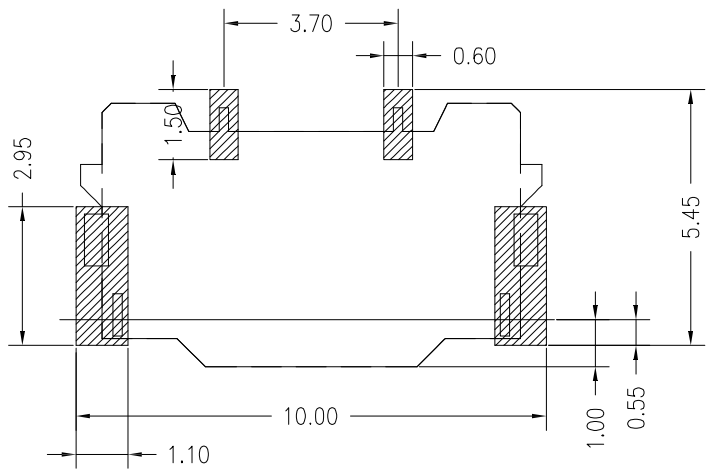
- 1.Poles:02p
- 2.Contact Resistance:30 mΩ max.
- 3.Insulator Resistance:1000 Megohms min.
- 4.Rated voltage:500v AC DC
- 5.Rated current:2.0A AC DC
- 6.Dielectric withstanding Voltage: AC 1500V/minute
- 7.-40°C to+85°C



Ordering Information

L3701R -XX - XXXB1 - R

PART No. ————
 No. OF CIRCUITS: 04
 PLASTIC MATERIAL: F4M=LCP (BEIGE)
 PACKAGING: R=REEL, P=PE
 Metal code: PhosphorBronze
 PLARING: B=MATTE SN



PCB LAYOUT

STANDARD TOLERANCE (EXCEPT SPECIFIED)	
LINER	ANGLES
.0 ±0.30	0.° ±3°
.00 ±0.20	.0° ±2°
.000 ±0.10	.00° ±1°

LDCONN 东莞连大精密制品有限公司
 连大 DongGuan LianDa Precision Products Co., LTD

TITLE	WAFER PH3.7MM 1X2P 90度 SMT	DRAWN BY	XXL	11/21-'19
PART NO.	L3701R-02-XXXB1-R	CHECKED BY		
DRAWING NO.	—	APPROVED BY		
SCALE	1:1	UNIT	mm	PAGE 1/1
				SIZE A4