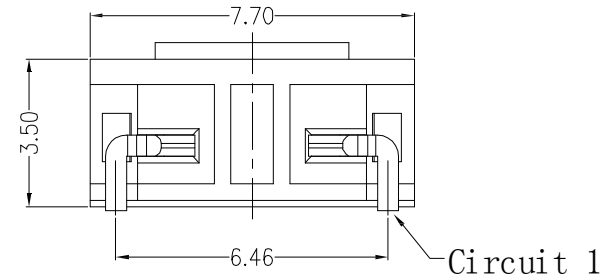
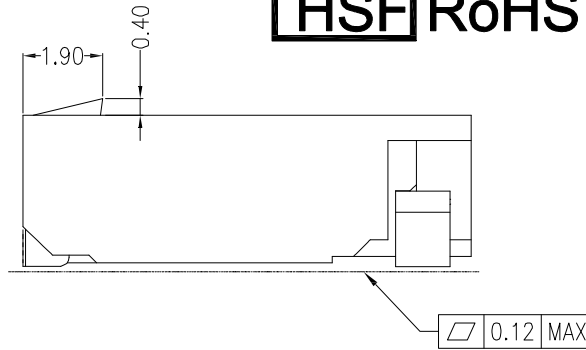
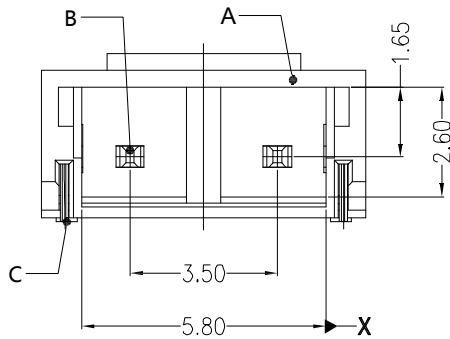


**HSF RoHS**

REV	ECN NO	DESCRIPTION	DATE	NAME
A	—	NEW	11/21-'19	LZM

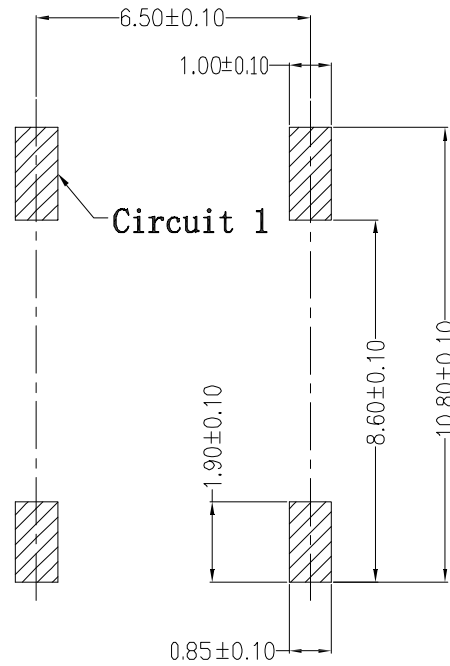
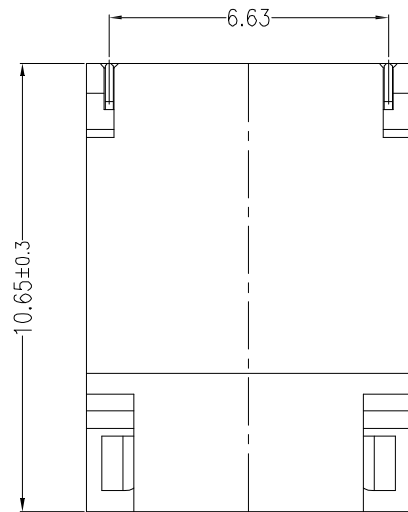


**主要技术参数 Main Specifications**

- 线数 (Poles) :02
- 接触电阻 (Contact resistance): ≤20m Ω
- 绝缘电阻 (Insulation resistance): ≥1000M Ω
- 额定电压 (Rated voltage): 1400V AC DC
- 额定电流 (Rated current): 1.0A AC DC
- 耐电压 (Withstand Voltage): 3800V AC/minute
- 温度范围 (Temperature Range): -25°C~+105°C

**ORDER INFORMATION:**

<b>L3502AWR-02-F3MA-R</b>	
PART No.:	PACKAGING:
No. OF CIRCUITS:	R=REEL
02	P=PE
PLASTIC MATERIAL:	PLATING:
F3M=LCP (BEIGE)	A=Sn



**SUGGESTED PCB LAYOUT  
(COMPONENT SIDE)**

**STANDARD TOLERANCE  
(EXCEPT SPECIFIED)**

LINER	ANGLES
.0 ±0.30	0.° ±3°
.00 ±0.20	.0° ±2°
.000 ±0.10	.00° ±1°

**LDCONN 东莞连大精密制品有限公司**  
DongGuan LianDa Precision Products Co., LTD

TITLE	3.5MM PITCH 90° WAFER SMT TYPE	DRAWN BY	LZM	11/21-'19
PART NO	L3502AWR-02-F3MA-R	CHECKED BY		
DRAWING NO		APPROVED BY		
SCALE	1:1	UNIT	mm	PAGE 1/1
				SIZE A4

ITEM	COMPONENT	Q'TY	MATERIAL	FINISH
C	SOLDER TAB	2 PCS	PhosphorBronze	Sn-plated
B	CONTACT	2 PCS	PhosphorBronze	Sn-plated
A	PEDESTAL	1 PCS	LCP	UL 94V-0, COLOR:BEIGE