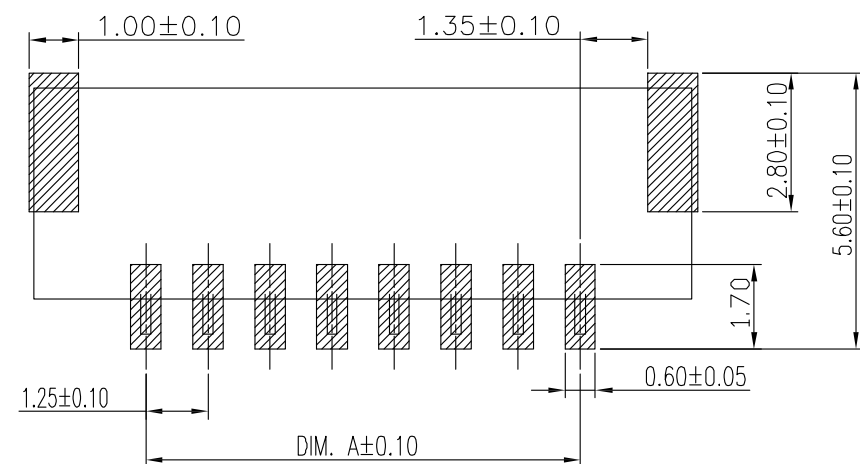
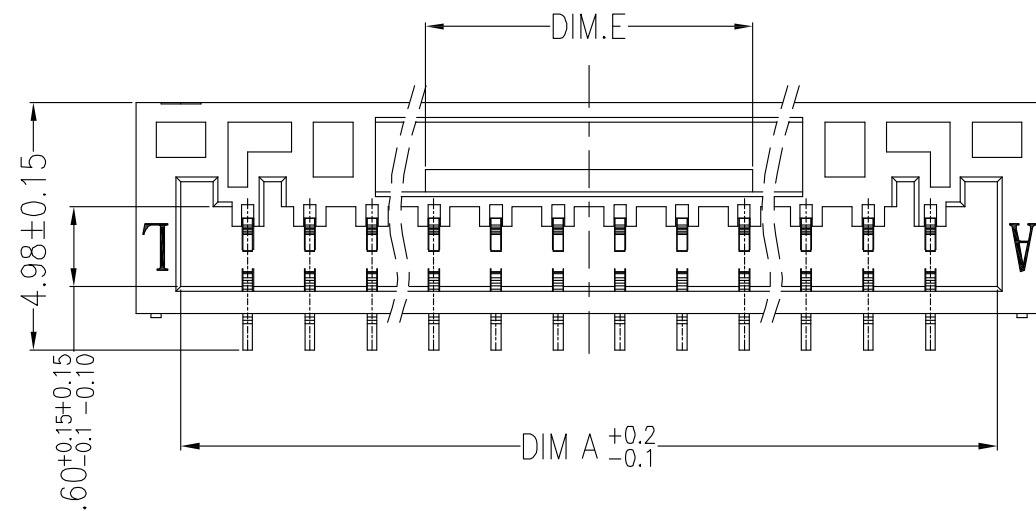
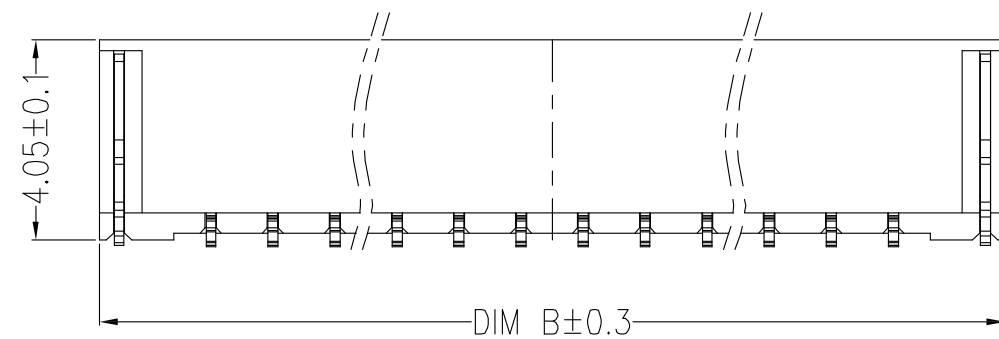
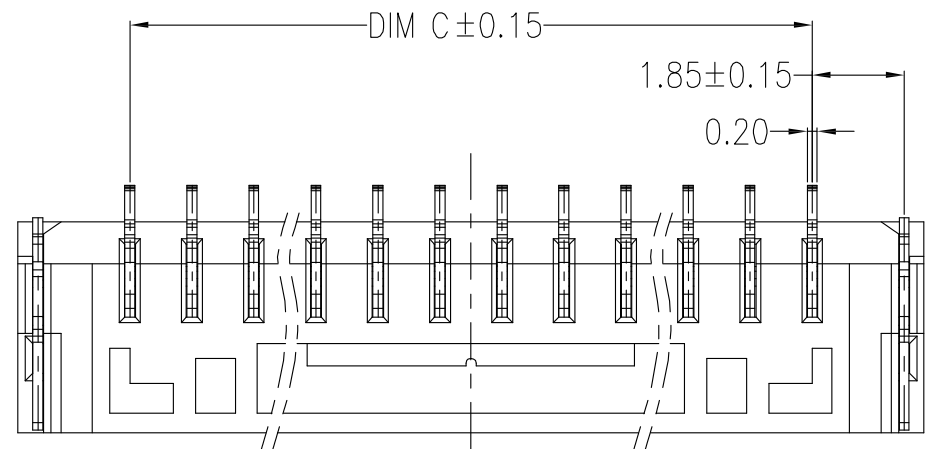
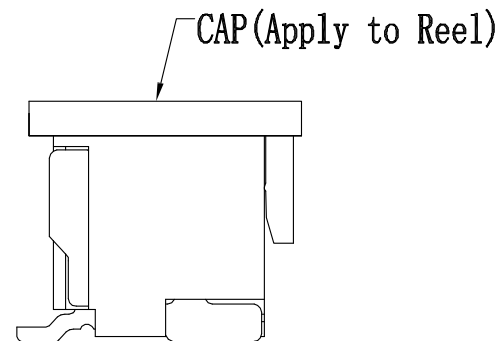
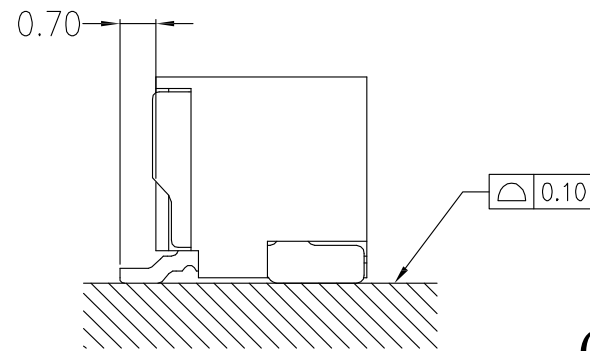


REV	ECN NO	DESCRIPTION	DATE	NAME
A		NEW		



SUGGESTED PCB LAYOUT  
(COMPONENT SIDE)



线 数 (Poles): 02 to 15  
 接触电阻 (Contact resistance):  $\leq 20m\Omega$   
 绝缘电阻 (Insulation resistance):  $\geq 100M\Omega$   
 额定电压 (Rated voltage): 50V AC DC  
 额定电流 (Rated current): 1.0A AC DC  
 耐 电 压 (Withstand Voltage): 500V AC/minute  
 温度范围 (Temperature Range):  $-40^{\circ}C \sim +110^{\circ}C$

### Ordering Information

L102XX - X X X X XX X

- |        |        |         |                          |
|--------|--------|---------|--------------------------|
| P数     |        | 流水号     | A袋装<br>B管装<br>C盘装<br>D卷装 |
| 1、单排   |        | 0、无     |                          |
| 2、双排   |        | 1、打“K”点 |                          |
| 0、180° | 2、     | 2、      |                          |
| 1、90°  | 3、NY6T | 3、带柱    |                          |
| 2、立贴   | 4、LCP  | 4       |                          |
| 3、卧贴   | 5、NY66 | 5、直背    |                          |
| 9、反位立贴 | 6、     | 6、弯背    |                          |
|        | 7、NY46 |         |                          |
|        | 8、NA9T |         |                          |

孔位	DIM A	DIM B	DIM C	DIM E
2P	5.75	3.75	1.25	0.75
3P	7.00	5.00	2.50	1.60
4P	8.25	6.25	3.75	2.65
5P	9.50	7.50	5.00	2.50
6P	10.75	8.75	6.25	4.65
7P	12.00	10.00	7.50	4.65
8P	13.25	11.25	8.75	4.65
9P	14.50	12.50	10.00	4.65
10P	15.75	13.75	11.25	6.60
11P	17.00	15.00	12.50	6.60
12P	18.25	16.25	13.75	6.60
13P	19.50	17.50	15.00	6.60
14P	20.75	18.75	16.25	6.60
15P	22.00	20.00	17.50	6.60



东莞连大精密制品有限公司

DongGuan LianDa Precision Products Co., LTD

TOLERANCE UNLESS OTHERWISE SPECIFIED	
LINER	ANGLES
.0 ±0.30	0.° ±3°
.00 ±0.20	.0° ±2°
.000 ±0.10	.00° ±1°

TITLE	WAFER-JK PH1.25 1XNP 立贴 带帽	DRAWN BY	HRJ	9/3-'19
PART NO	L102XX-1240XXD	CHECKED BY		
DRAWING NO		APPROVED BY		
SCALE	1:1	UNIT	mm	PAGE 1/1
				SIZE A4