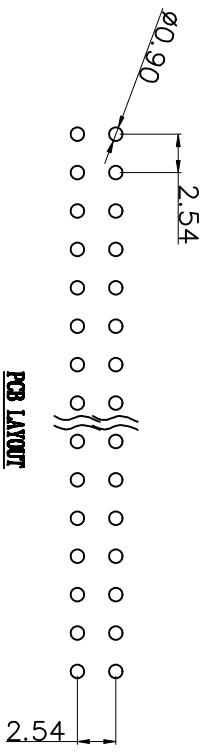
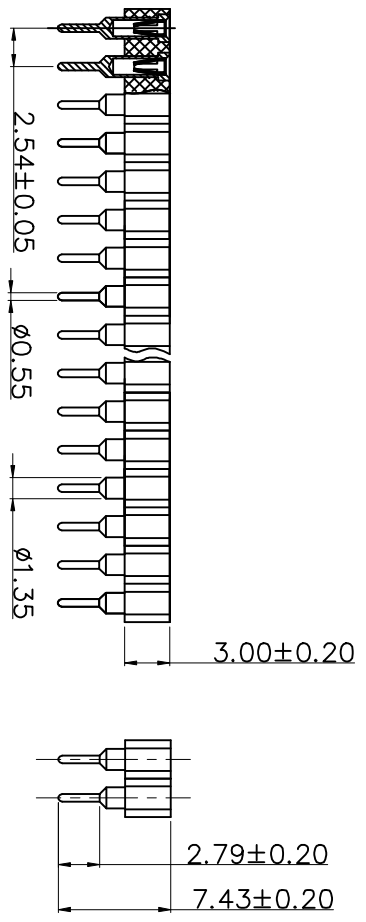
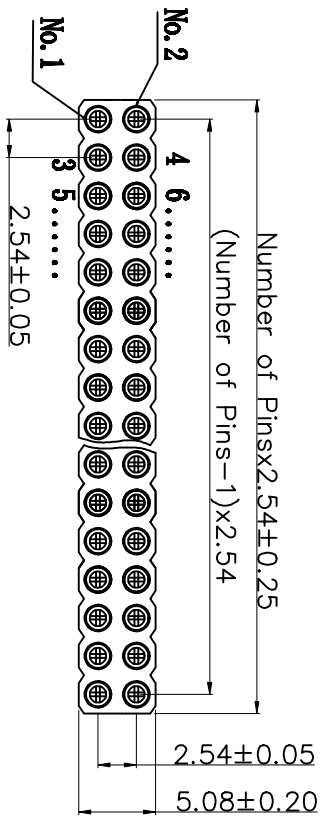


# HSE ROHS

REV	ECN NO	DESCRIPTION	DATE	NAME
A		NEW		

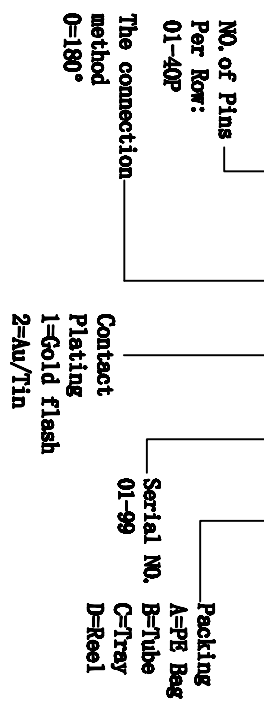
### Technical Specs:

- Insulator: NY6T
- Flammability: UL 94V-0
- Sleeve: Brass
- Contact clip(4/6 finger): Beryllium copper(C17 200)/Phosphor Bronze
- Accepted pin: Ø0.40 to 0.56mm (polished steel gauge Ø0.43mm)
- Forces: 2 N typ
- Insertion: 1 N typ
- Withdrawal: min500 cycles
- Rated current: 3A
- Contact resistance: max 10m Ω
- Dielectric resistance: Min 1000V RMS
- Max.Processing Temp:230°C for30-60 seconds (260°C for 10 seconds)



### Ordering Information

L488XX - X X XX X



<b>LDCONN 东莞连大精密制品有限公司</b> Dongguan Lianda Precision Products Co., LTD		TITLE DRAWN BY Lu Junhui		DATE 18.11.05	
PART NO L488XX-0XXXX		CHECKED BY			
DRAWING NO		APPROVED BY			
SCALE	1:1	UNIT	mm	PAGE	1/1
				SIZE	A4

STANDARD TOLERANCE (EXCEPT SPECIFIED)	LINEAR	ANGLES
.0	±0.30	0.° ±3°
.00	±0.20	.0° ±2°
.000	±0.10	.00° ±1°