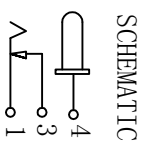
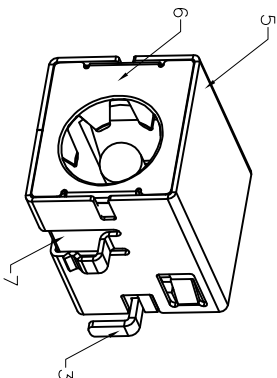
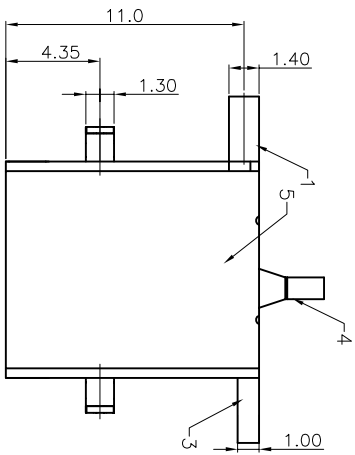


HSE ROHS

REV	ECN NO	DESCRIPTION	DATE	NAME
A		NEW		

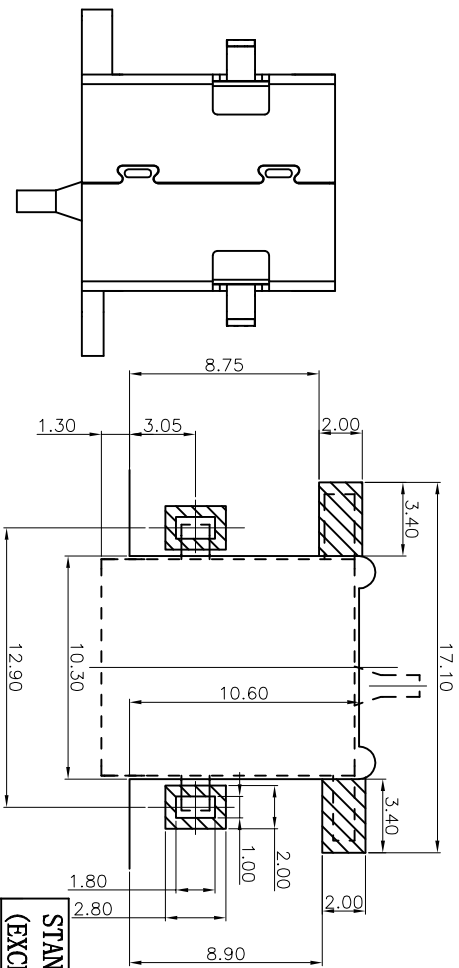
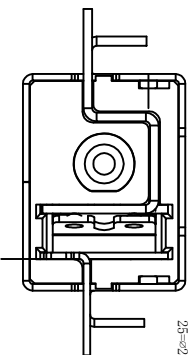
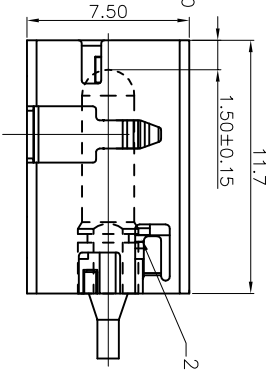
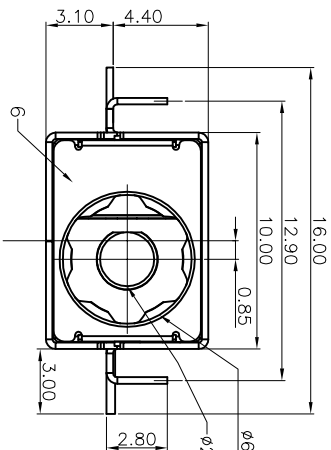
- SPECIFICATION**
1. Rating: DC 30V 2.5A
 2. Contact resistance: $\leq 0.03\Omega$
 3. Insulation resistance: $\geq 100M\Omega$ (DC250V)
 4. Withstand voltage: 500VAC
 5. Insertion and extraction force: 3-25N
 6. Life test: 5000 cycles.



Ordering Information

L780 25 - 60 1 0 XX X

Mandrel diameter: 25=2.5MM
 Hole Diameter: 60=6.0MM
 Welding method structure: 1=Right Dip Type 0=Four encircling
 Serial NO: 01-99
 Packing: C=Tray D=Reel



NO.	DESCRIPTION	QTY	MATERIAL	PLATING
7	HOUSING	1	LCP/PBT	
6	COVER	1	SUS	
5	SHELL	1	BRASS	Ni-Plating
4	PIN	1	BRASS	Ni-Plating
3	CURVE PIECE	1	BRASS	Ni-Plating
2	FIXING PIECE	1	SUS	
1	SPRING	1	BRONZE	Ni-Plating

STANDARD TOLERANCE (EXCEPT SPECIFIED)	LINEAR	ANGLES
0	± 0.30	$0.^\circ \pm 3^\circ$
.00	± 0.25	$.0^\circ \pm 2^\circ$
.000	± 0.15	$.00^\circ \pm 1^\circ$

LDCONN 东莞大精密制品有限公司 Dongguan LianDa Precision Products Co., LTD		TITLE		DC JACK, Four Encircling, Right Dip Type, Center axis, Stright Dip Type, H7.5	DRAWN BY	WZG	DATE	17.04.10
PART NO		L78025-6010XXX		CHECKED BY				
DRAWING NO				APPROVED BY				
SCALE	1:1	UNIT	mm	PAGE	1/1	SIZE	A4	