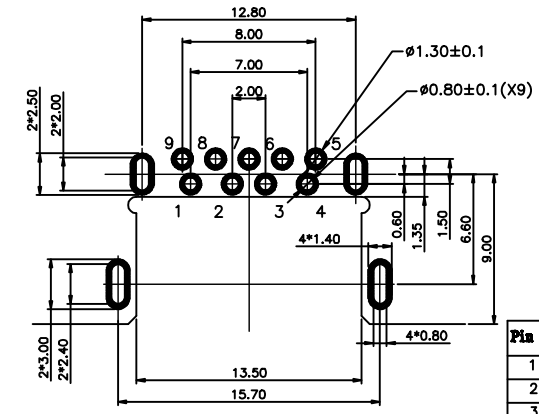
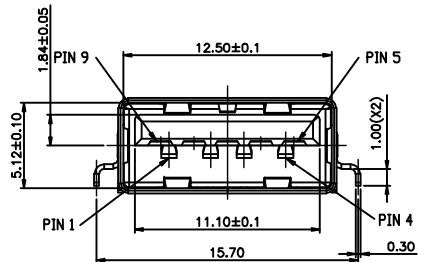
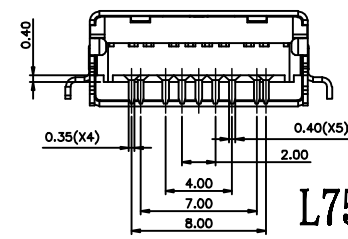
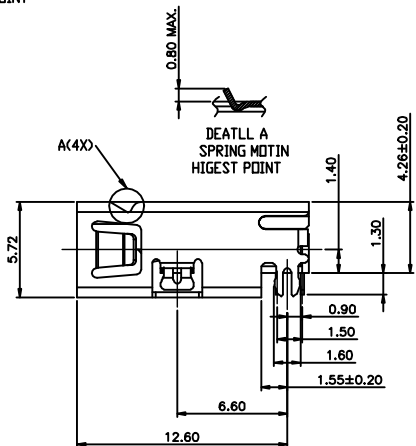
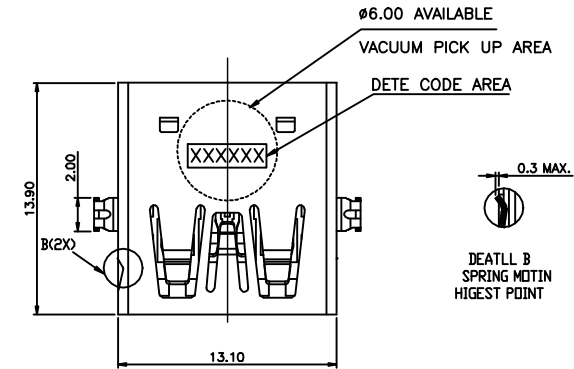


# HSF RoHS

REV	ECN NO	DESCRIPTION	DATE	NAME
A		NEW		



TOLERANCE: ±0.05, THICKNESS: 1.2mm  
RECOMMENDED PCB LAYOUT

- NOTE:
- MATERIAL:
    - INSULATOR: LCP UL 94 V-0; BLACK
    - CONTACT: C5191 (T=0.20mm)
    - SHELL: SUS201 (T=0.30mm)
  - ELECTRICAL CHARACTERISTICS:
    - Current Rating: 1.8AMP at 250V AC  
Voltage Rating: 30V
    - Insulation Resistance: 100MΩ Min
    - Contact Resistance: 30mΩ Max
    - Dielectric Withstanding Voltage: 100V AC
    - OPERATING TEMPERATURE: -40°C ~ 85°C
  - MECHANICAL CHARACTERISTICS:
    - MATING FORCE: 35 N Max
    - UNMATED FORCE: 10 N Min INITIAL; 8 N Min AFTER TEST
    - DURABILITY: 5,000 CYCLES

## Ordering Information

L75709 - 1 1 X XX X

PIN 09-9P

Layer: 1=Single Layer

Colour: 3=Blue, 1=Black, 2=White

Serial NO: 01-99

Packing: C=Tray, D=Reel

Pin #	SIGNAL NAME	DESCRIPTION	MATING SEQUENCE
1	VBUS	POWER	SECOND
2	D-	USB 2.0 DIFFERENTIAL PAIR	THIRD
3	D+	DIFFERENTIAL PAIR	THIRD
4	GND	GROUND FOR POWER RETURN	SECOND
5	StdA_SSPX-	SUPERSPEED RECEIVER DIFFERENTIAL PAIR	LAST
6	StdA_SSPX+	DIFFERENTIAL PAIR	LAST
7	GND_DRAIN	GROUND FOR SIGNAL RETURN	SECOND
8	StdA_SSTX-	SUPERSPEED TRANSMITTER DIFFERENTIAL PAIR	LAST
9	StdA_SSTX+	DIFFERENTIAL PAIR	LAST
Shell	Shield	CONNECTOR METAL SHELL	FRIST

STANDARD TOLERANCE (EXCEPT SPECIFIED)

LINER		ANGLES	
.0	±0.30	0.°	±3°
.00	±0.20	.0°	±2°
.000	±0.10	.00°	±1°

**LDCONN 东莞连大精密制品有限公司**  
DongGuan LianDa Precision Products Co., LTD

TITLE	USB 3.0 AF Board type CH=1.4mm	DRAWN BY	Lujunhui	18.10.19
PART NO	L75709-11XXX	CHECKED BY		
DRAWING NO		APPROVED BY		
SCALE	1:1	UNIT	mm	PAGE 1/1 SIZE A4