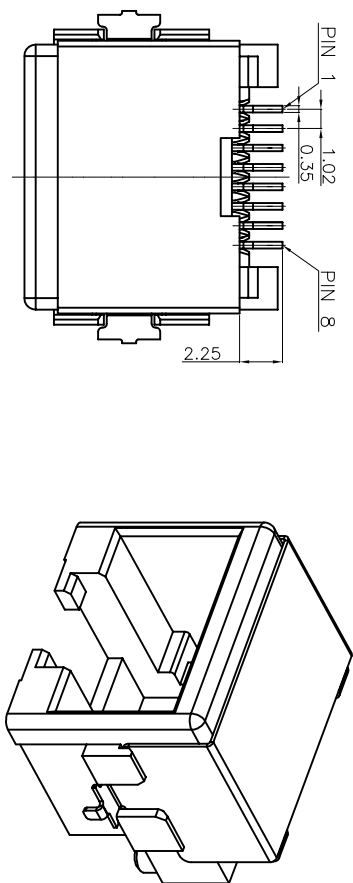
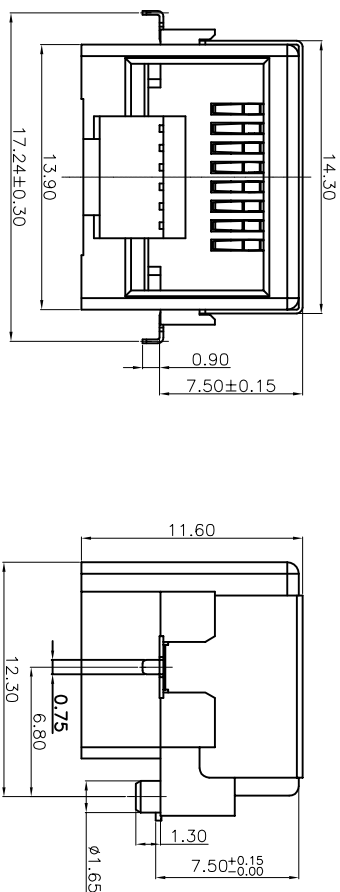


HSE ROHS

REV	ECN NO	DESCRIPTION	DATE	NAME
A		NEW		



- NOTE:
- 1: MATERIAL:
- <1> SHIELD: BRASS, T=0.2mm
 - <2> HOUSING: LCP, G/F FILLED, UL94V-0 RATED OR OTHER HIGH PERFORMANCE RESINS. COLOR IN BLACK.
 - <3> TERMINAL: PHOSPHOR BRONZE, T=0.30mm
 - 2: CONTACT PLATED: GOLD
 - 3: PCB TOLERANCES: DIMENSION ±0.05
 - 4: RETENTION FORCE OF PLUG IN THE JACK IS 10 kgf (min).
 - 5: SPECIFICATION:

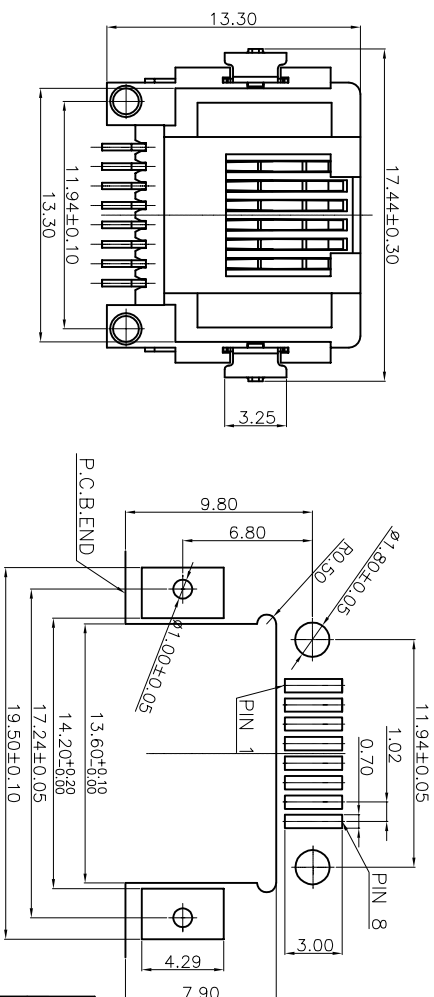


- DIELECTRIC STRENGTH: AC 500V FOR ONE MINUTE
- INSULATION RESISTANCE: 100MΩ min. AT DC 100V
- CONTACT RESISTANCE: 45mΩ max.
- CURRENT RATING: 500mA
- OPERATING TEMPERATURE: -30°C ~ +85°C

Ordering Information

L600XX - X X XX X

insulation height 75=7, 5
 1=Forward
 2=Reverse
 Serial No. 01-99
 C=Tray
 D=Reel
 Packing
 Insulation
 Material
 Option
 3=NV6T
 4=LCP



RECOMMEND P.C.B. layout (T=1.20mm)
 PCB TOLERANCE: ±0.05

STANDARD TOLERANCE (EXCEPT SPECIFIED)	LINER	ANGLES
0 ±0.30	0.°	±3°
.00 ±0.25	.0°	±2°
.000 ±0.15	.00°	±1°

LDCONN 东莞连大精密制品有限公司 Dongguan LianDa Precision Products Co., LTD		DRAWN BY LuJunhui 18.04.17	
TITLE R745 8P8C Sinking board type HF.5 SWF Forward		CHECKED BY	
PART NO L60075-140XC		APPROVED BY	
DRAWING NO			
SCALE 1:1	UNIT mm	PAGE 1/1	SIZE A4