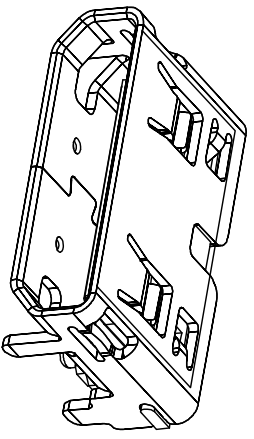
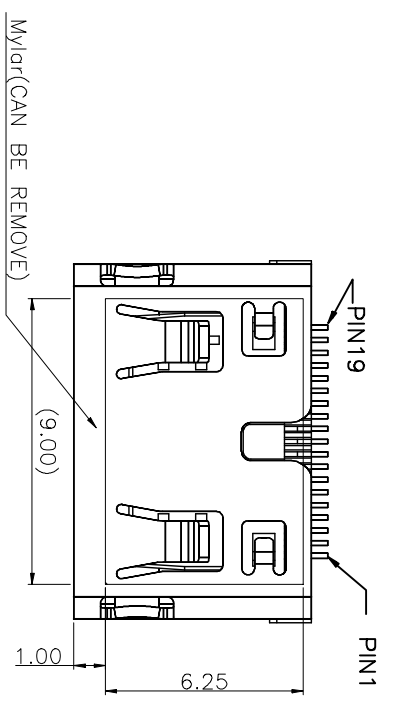
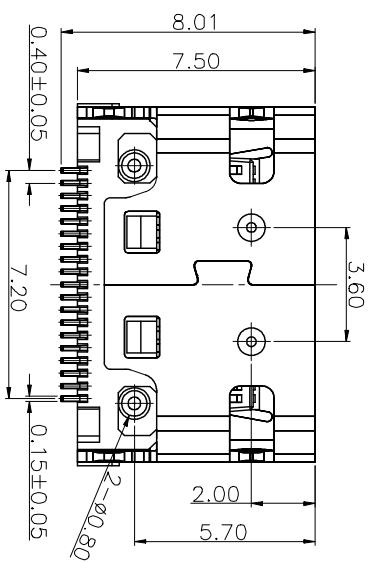
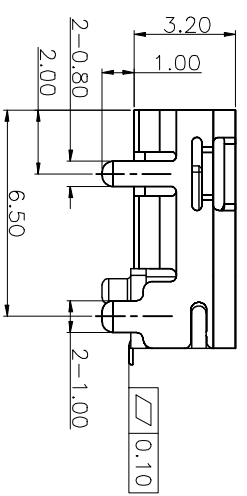
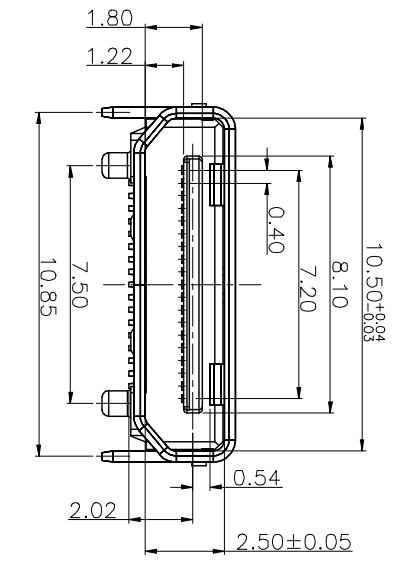


HSE ROHS

REV	ECN NO	DESCRIPTION	DATE	NAME
A		NEW		

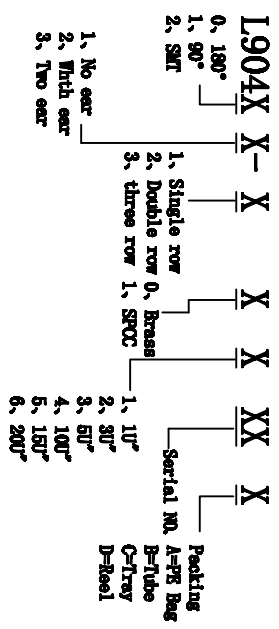


3D VIEW



- SPECIFICATION:**
1. MATING FORCE: 44 IN MAX
 2. UNMATING FORCE: 7~39.2N
 3. DURABILITY: 10000 CYCLES MIN.
 4. CURRENT: 0.5A
 5. VOLTAGE: 40V MAX
 6. WITHSTANDING VOLTAGE: 500V AC
 7. CONTACT RESISTANCE: 30mΩ MAX.
 8. INSULATION RESISTANCE: 100MΩ MIN. (UNMATED) 100MΩ MIN. (MATED)
 9. OPERATING TEMPERATURE RANGE: -20°C~+85°C
 10. ALL THE MATERIAL SHOULD COMPLY WITH THE ROHS REQUIREMENT

Ordering Information



STANDARD TOLERANCE (EXCEPT SPECIFIED)	LINER	ANGLES
.0	±0.30	0.°
.00	±0.25	.0°
.000	±0.15	.00°

LDCONN 东莞连大精密制品有限公司 Dongguan Lianda Precision Products Co., LTD		LDCONN 东莞连大精密制品有限公司 Dongguan Lianda Precision Products Co., LTD	
TITLE	MINI HDML 19P SMT	DRAWN BY	Lu Junhui
PART NO	L88214-1X01X	CHECKED BY	
DRAWING NO		APPROVED BY	
SCALE	1:1	UNIT	mm
		PAGE	1/1
		SIZE	A4