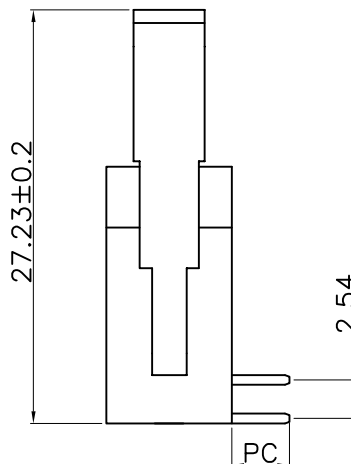
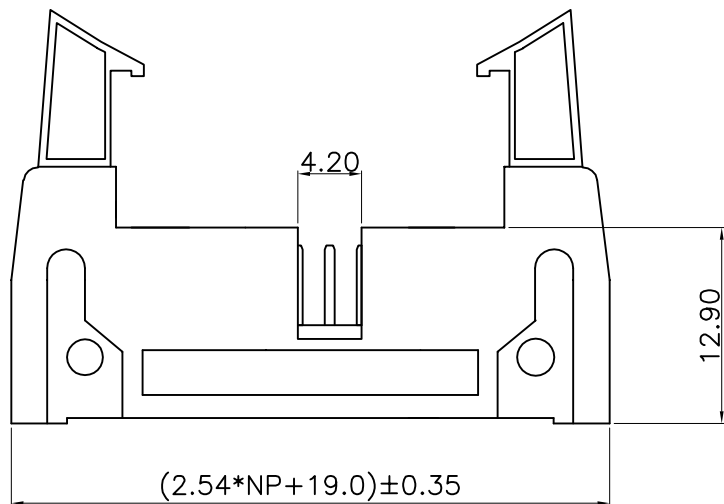
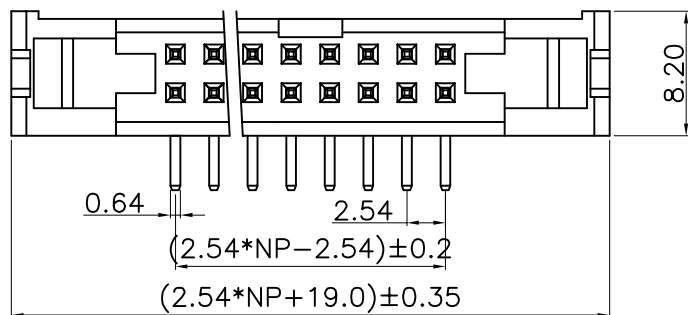


HSF RoHS

REV	ECN NO	DESCRIPTION	DATE	NAME
A		NEW		



1. MATERIALS AND FINISH

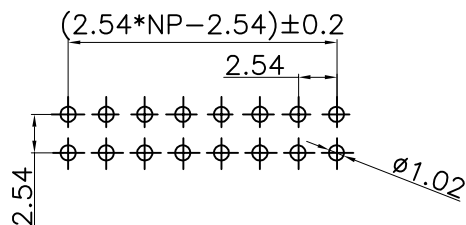
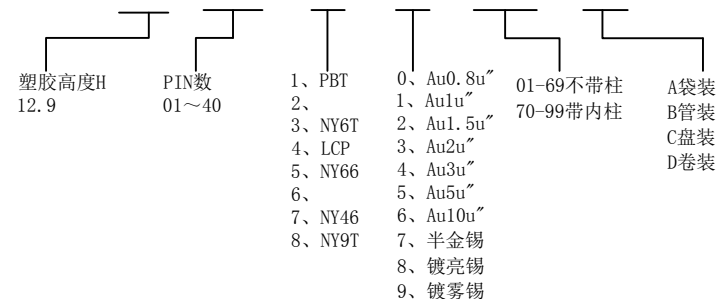
- 1.1 HOUSING MATERIALS: Asfollows
- 1.2 CONTACTS: Brass
- 1.3 PLATING: Asfollows

2. SPECIFICATIONS

- 2.1 CURRENT RATING: 3AMP
- 2.2 INSULATION RESISTANCE: 1000MΩ
- 2.3 DIELECTRIC WITHSTANDING VOLTAGE: 1000V AC/DC.
- 2.4 OPERATING TEMPERATURE: -40°C TO +105°C.

Ordering Information

L241XX -XX 1 X X XX X



PCB LAYOUT

STANDARD TOLERANCE
(EXCEPT SPECIFIED)

LINER	ANGLES
.0 ±0.30	0.° ±3°
.00 ±0.20	.0° ±2°
.000 ±0.10	.00° ±1°

LDCONN 东莞连大精密制品有限公司 DongGuan LianDa Precision Products Co., LTD									
TITLE		2.54 Ejector Header Right Angle Type		DRAWN BY		ZSL		18.10.13	
PART NO		L241XX-XX1XXXXX		CHECKED BY					
DRAWING NO				APPROVED BY					
SCALE	1:1	UNIT	mm	PAGE	1/1	SIZE	A4		