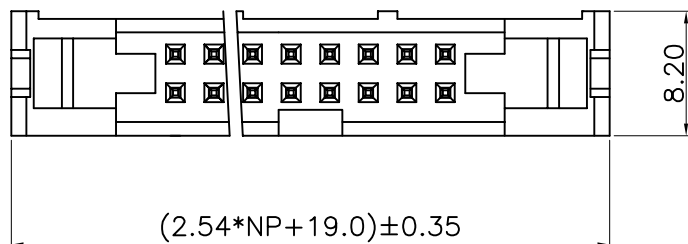


# HSF RoHS

REV	ECN NO	DESCRIPTION	DATE	NAME
A		NEW		

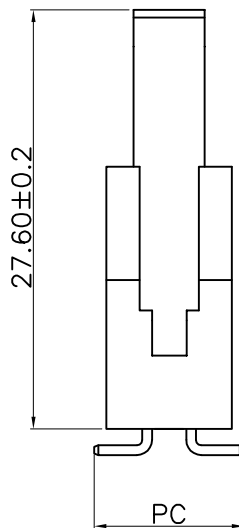
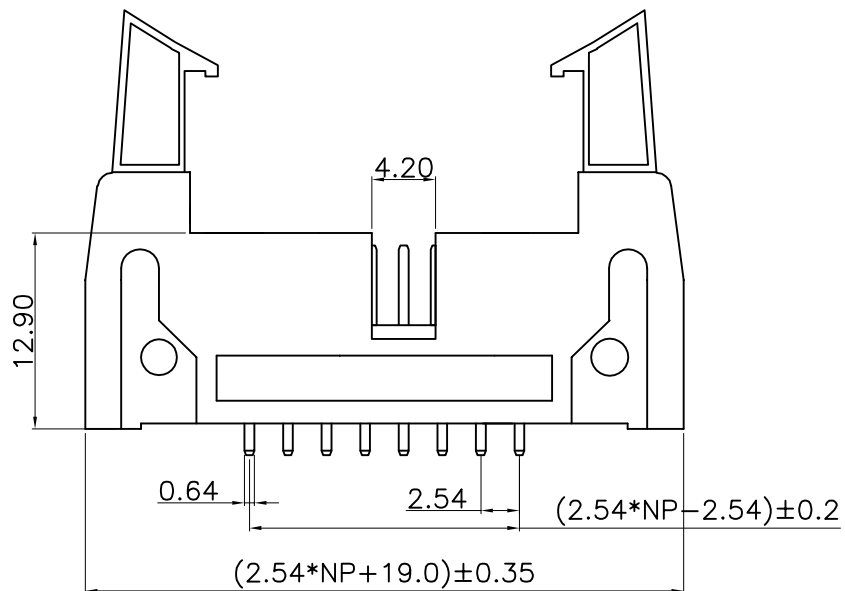


### 1. MATERIALS AND FINISH

- 1.1 HOUSING MATERIALS: Asfollows
- 1.2 CONTACTS: Brass
- 1.3 PLATING: Asfollows

### 2. SPECIFICATIONS

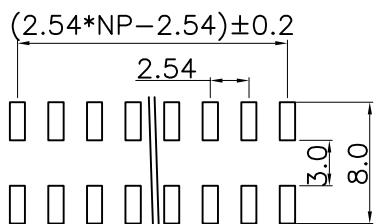
- 2.1 CURRENT RATING: 3AMP
- 2.2 INSULATION RESISTANCE: 1000MΩ
- 2.3 DIELECTRIC WITHSTANDING VOLTAGE: 1000V AC/DC.
- 2.4 OPERATING TEMPERATURE: -40°C TO +105°C.



## Ordering Information

L241XX -XX 2 X X XX X

塑胶高度H 12.9	PIN数 01~40	1、PBT 2、NY6T 3、LCP 4、NY66 5、NY46 6、NY9T	0、Au0.8u" 1、Au1u" 2、Au1.5u" 3、Au2u" 4、Au3u" 5、Au5u" 6、Au10u" 7、半金锡 8、镀亮锡 9、镀雾锡	01-69不带柱 70-99带内柱	A袋装 B管装 C盘装 D卷装
---------------	---------------	--	---	----------------------	--------------------------



PCB LAYOUT

STANDARD TOLERANCE  
(EXCEPT SPECIFIED)

LINER	ANGLES
.0 ±0.30	0.° ±3°
.00 ±0.20	.0° ±2°
.000 ±0.10	.00° ±1°

LDCONN 东莞连大精密制品有限公司 DongGuan LianDa Precision Products Co., LTD									
TITLE		2.54 Ejector Header SMT Type		DRAWN BY		ZSL		18.10.13	
PART NO		L241XX-XX2XXXXX		CHECKED BY					
DRAWING NO				APPROVED BY					
SCALE	1:1	UNIT	mm	PAGE	1/1	SIZE	A4		