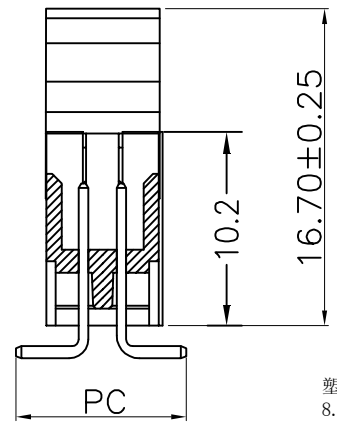
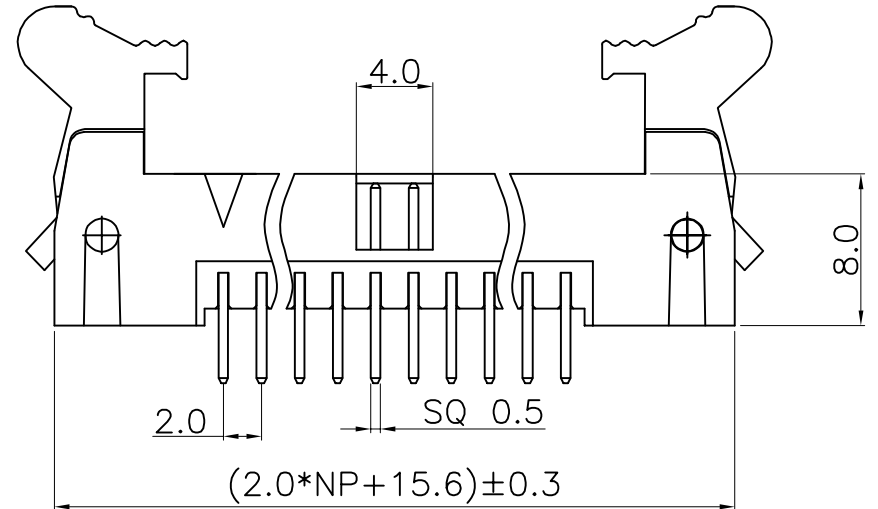
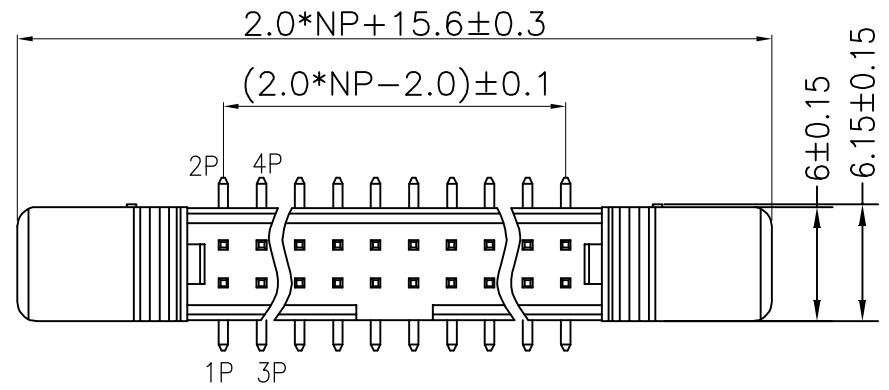


REV	ECN NO	DESCRIPTION	DATE	NAME
A		NEW		

# HSF RoHS

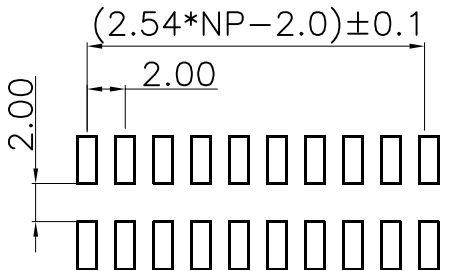
1. MATERIALS AND FINISH
- 1.1 HOUSING MATERIALS: Asfollows
  - 1.2 CONTACTS: Brass
  - 1.3 PLATING: Asfollows
2. SPECIFICATIONS
- 2.1 CURRENT RATING: 2AMP
  - 2.2 INSULATION RESISTANCE: 1000MΩ
  - 2.3 DIELECTRIC WITHSTANDING VOLTAGE: 1000V AC/DC.
  - 2.4 OPERATING TEMPERATURE: -40°C TO +105°C.



## Ordering Information

L240XX -XX 2 X X XX X

塑胶高度H 8.0	PIN数 01~40	1、PBT 2、NY6T 3、NY66 4、LCP 5、NY46 6、NY9T	0、Au0.8u" 1、Au1u" 2、Au1.5u" 3、Au2u" 4、Au3u" 5、Au5u" 6、Au10u" 7、半金锡 8、镀亮锡 9、镀雾锡	流水号 01~69不带柱 70~99带内柱	A袋装 B管装 C盘装 D卷装
--------------	---------------	--	---	-----------------------------	--------------------------



STANDARD TOLERANCE (EXCEPT SPECIFIED)	
LINER	ANGLES
.0 ±0.30	0.° ±3°
.00 ±0.20	.0° ±2°
.000 ±0.10	.00° ±1°

LDCONN 东莞连大精密制品有限公司 DongGuan LianDa Precision Products Co., LTD									
TITLE		2.0 Ejector Header SMT Type Short Latch		DRAWN BY		ZSL		18.10.13	
PART NO		L240XX-XX2XXXXX		CHECKED BY					
DRAWING NO				APPROVED BY					
SCALE	1:1	UNIT	mm	PAGE	1/1	SIZE	A4		