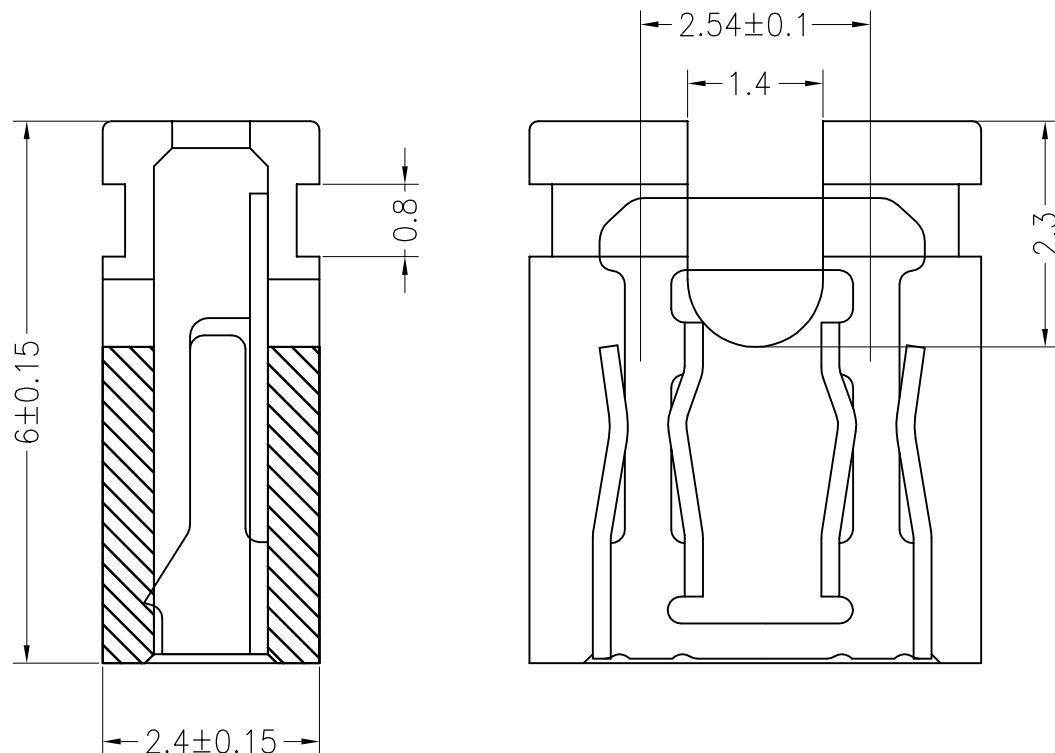


HSF RoHS

REV	ECN NO	DESCRIPTION	DATE	NAME
A		NEW		

Specifications

- 1.Current Rating:2Amps
- 2.Insulation Resistance:1000 mΩ min.
- 3.Dielectric withstanding Voltage: 500V AC/DC
- 4.Contact Resistance:20 mΩ max.
- 5.Operating Temperature:-40℃ to+105℃
- 6.Contact Material: Brass
- 7.Insulation Material:Asfollows,UL94V-0,Black
- 8.Plated: Au Over Ni



Ordering Information

L482XX - X X XX X

- NO. of Pins Per Row: 02=2P
- Contact Plating: 0=0.8" Gold, 1=Au1" Gold, 2=Au1.5" Gold, 3=Au2" Gold, 4=Au3" Gold, 5=Au5" Gold, 6=Customized, 7=Gold/Tin, 8=Tin, A=NI
- Serial NO. 01-69
- Packing: A=PE Bag, B=Tube, C=Tray, D=Reel

LDCONN 东莞连大精密制品有限公司
 連大 DongGuan LianDa Precision Products Co., LTD

STANDARD TOLERANCE (EXCEPT SPECIFIED)	
LINER	ANGLES
.0 ±0.30	0.° ±3°
.00 ±0.20	.0° ±2°
.000 ±0.10	.00° ±1°

TITLE	Short circuit cap PH2.54 H6.0 opening	DRAWN BY	YTT	16.02.03
PART NO	L48202-07XXA	CHECKED BY		
DRAWING NO		APPROVED BY		
SCALE	1:1	UNIT	mm	
PAGE	1/1	SIZE	A4	