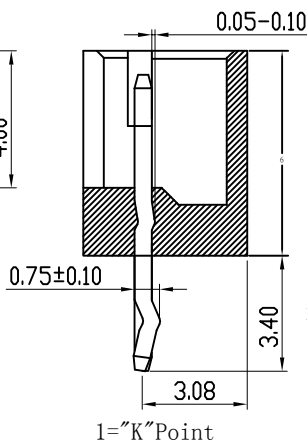
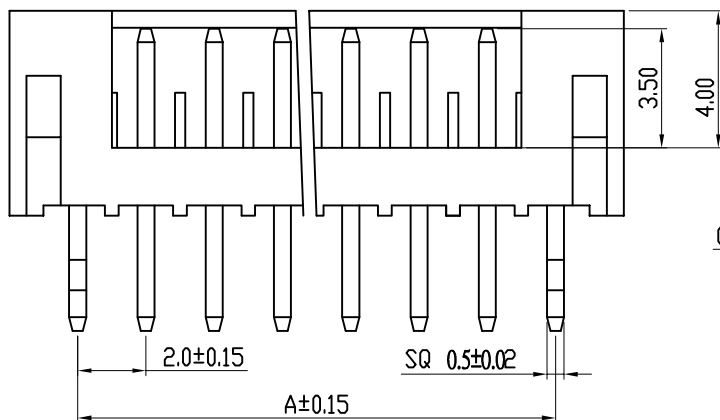
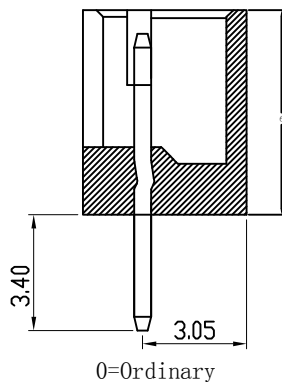
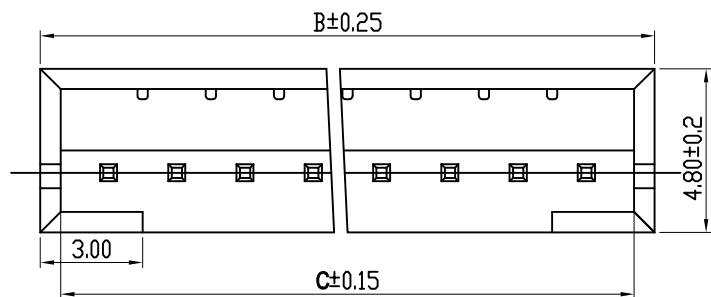


# HSF RoHS

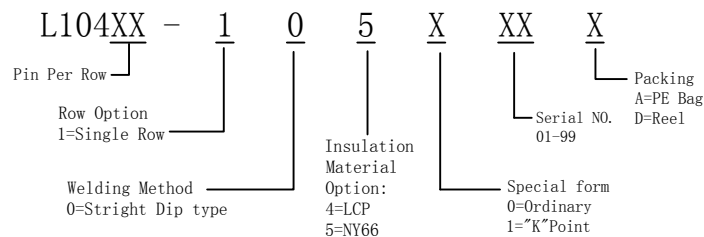
REV	ECN NO	DESCRIPTION	DATE	NAME
A		NEW		

Note:

1. Material
  - 1.1: Housing: NY66, Color: Nature
  - 1.2: Contact: Brass, Tin.
2. Rating:
  - 2.1: Operating Voltage: 125V AC/DC.
  - 2.2: Current Rating: 2A AC/DC.
  - 2.3: Operating Temperature: -25°C~+85°C.
  - 2.4: Contact Resistance: 30 mΩ max.
  - 2.5: Insulation Resistance: 1000 MΩ min.
  - 2.6: Dielectric withstanding Voltage: AC 500V
  - 2.7: Applicable Wire: AWG#24~#30
3. Part Number:



## Ordering Information



PARTNO	Dimensions		
	A	B	C
2P	2.0	6.0	4.9
3P	4.0	8.0	6.9
4P	6.0	10.0	8.9
5P	8.0	12.0	10.9
6P	10.0	14.0	12.9
7P	12.0	16.0	14.9
8P	14.0	18.0	16.9
9P	16.0	20.0	18.9
10P	18.0	22.0	20.9
11P	20.0	24.0	22.9
12P	22.0	26.0	24.9
13P	24.0	28.0	26.9
14P	26.0	30.0	28.9
15P	28.0	32.0	30.9
16P	30.0	34.0	32.9



PCB LAYOUT

STANDARD TOLERANCE  
(EXCEPT SPECIFIED)

LINER	ANGLES
.0 ±0.30	0.° ±3°
.00 ±0.20	.0° ±2°
.000 ±0.10	.00° ±1°

## LDCONN 东莞连大精密制品有限公司

★ DongGuan LianDa Precision Products Co., LTD

TITLE	PH2.0mm Wafer Single row, Stright Dip type	DRAWN BY	WZG	17.03.30
PART NO	L104XX-105XXXX	CHECKED BY		
DRAWING NO		APPROVED BY		
SCALE	1:1	UNIT	mm	PAGE 1/1
				SIZE A4