

HSF RoHS

REV	ECN NO	DESCRIPTION	DATE	NAME
A		NEW		

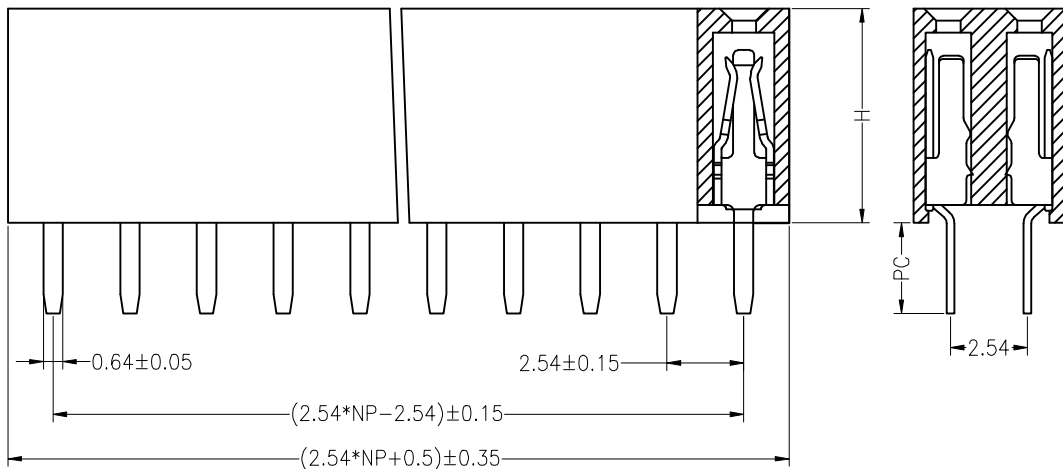
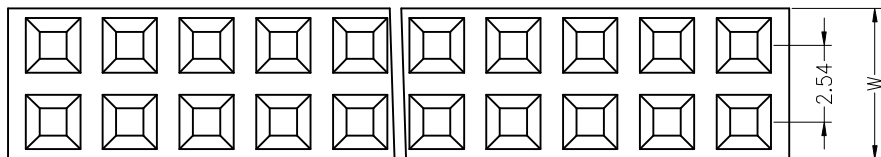
Specifications

1. Current Rating: 3Amps
2. Contact Resistance: 20mΩ
3. Insulator Resistance: 1000 Megohms min.
4. Dielectric withstanding Voltage: AC/DC 1000V
5. Operating Temperature: -40℃ to +105℃
6. Contact Material: Copper alloy
7. Insulator Material: As follows
8. Plated: As follows

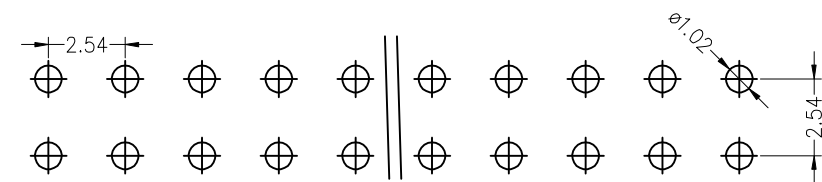
Ordering Information

L308 XX -XX 0 X X XX X

Insulation Height*Wide (H*W)	NO. of Pins Per Row: 1-40P	Insulation Material Option:	Contact Plating	Serial NO.	Packing
50=5.0*5.2		1=PBT	0=0.8" Gold	01-69 (No pillars)	A=PE Bag
57=5.7*5.0		2=PPS	1=Au1" Gold	70-89 (pillars)	B=Tube
71=7.5*5.0		3=NY6T	2=Au1.5" Gold	90-99 (outside pillars)	C=Tray
75=7.1*5.0		4=LCP	3=Au2" Gold		D=Reel
85=8.5*5.0		5=NY66	4=Au3" Gold		
		6=Customized	5=Au5" Gold		
		7=NY46	6=Customized		
		8=NY9T	7=Gold/Tin		
			8=Tin		



Dimension antitheses list			
ITEM	PC	H	W
Standard	3.0/3.2	5.0/5.7/7.1/7.5/8.5	5.0/5.2
Alternate			



PCB LAYOUT

STANDARD TOLERANCE (EXCEPT SPECIFIED)			
LINER		ANGLES	
.0	±0.30	0.°	±3°
.00	±0.20	.0°	±2°
.000	±0.10	.00°	±1°

LDCONN 东莞连大精密制品有限公司 DongGuan LianDa Precision Products Co., LTD					
TITLE	PH2.54mm 2XNP 180° Dual Row Female Header	DRAWN BY	Lujunhui	18.04.03	
PART NO	L308XX-XX0XXXXX	CHECKED BY			
DRAWING NO		APPROVED BY			
SCALE	1:1	UNIT	mm	PAGE	1/1
				SIZE	A4