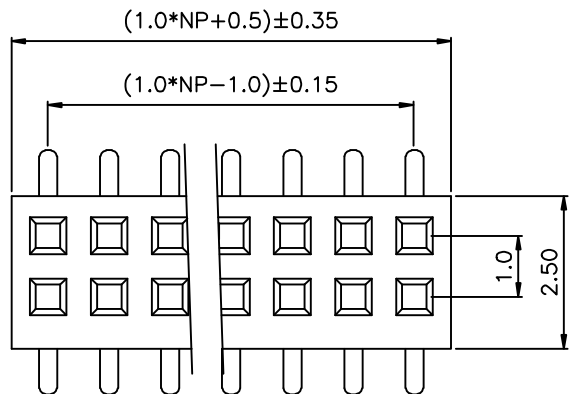


# HSF RoHS

REV	ECN NO	DESCRIPTION	DATE	NAME
A		NEW		



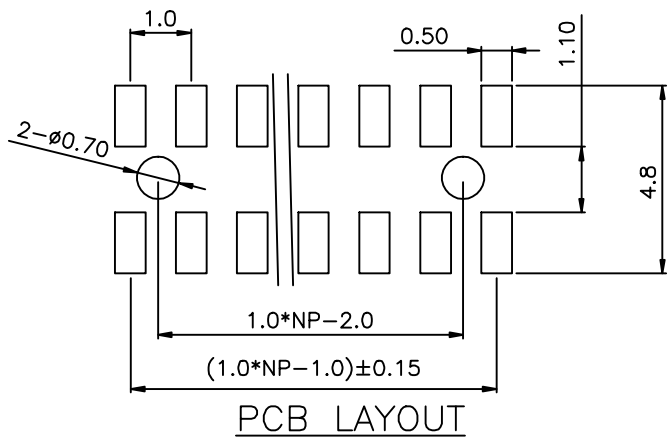
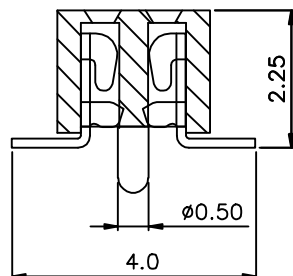
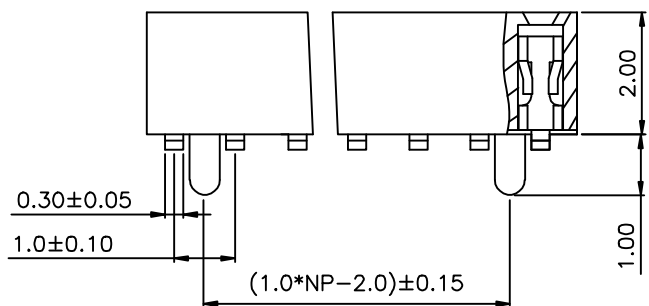
### Specifications

1. Current Rating: 1Amps
2. Contact Resistance: 20mΩ
3. Insulator Resistance: 1000 Megohms min.
4. Dielectric withstanding Voltage: AC/DC 500V
5. Operating Temperature: -40℃ to +105℃
6. Contact Material: phosphor Bronze
7. Insulator Material: As follows
8. Plated: As follows

### Ordering Information

L302 XX -XX 2 X X XX X

Insulation Height*Wide (H*W) Option:	NO. of Pins Per Row: 1-50P	Insulation Material Option:	Contact Plating	Serial NO.	Packing
20=2.0*2.5		1=PBT 2=PPS 3=NY6T 4=LCP 5=NY66 6=Customized 7=NY46 8=NY9T	0=0.8" Gold 1=Au1" Gold 2=Au1.5" Gold 3=Au2" Gold 4=Au3" Gold 5=Au5" Gold 6=Customized 7=Gold/Tin 8=Tin	01-69 (No pillars) 70-89 (pillars) 90-99 (outside pillars)	A=PE Bag B=Tube C=Tray D=Reel



**LDCONN 东莞连大精密制品有限公司**  
 连大 DongGuan LianDa Precision Products Co., LTD

STANDARD TOLERANCE (EXCEPT SPECIFIED)			
LINER		ANGLES	
.0	±0.30	0.°	±3°
.00	±0.20	.0°	±2°
.000	±0.10	.00°	±1°

TITLE	PH1.0mm H2.0mm 2XNP SMT Dual row Female Header with Post	DRAWN BY	Lujunhui	18.03.30			
PART NO	L302XX-XX2XXXXX	CHECKED BY					
DRAWING NO		APPROVED BY					
SCALE	1:1	UNIT	mm	PAGE	1/1	SIZE	A4